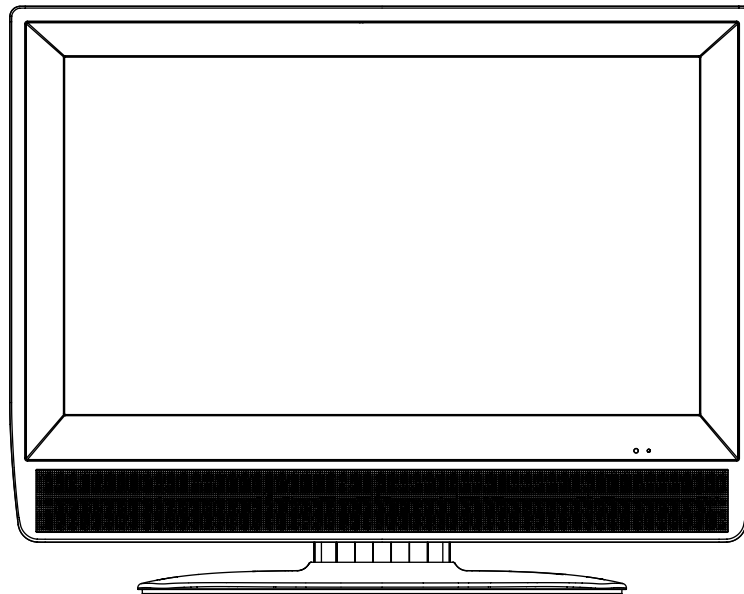


PARTS AND EXPLODED VIEWS

MANUFACTURER : **SHARP**

MODEL : **LC-32D40U**

NOTE : _____



SHARP®

LC-32D40U

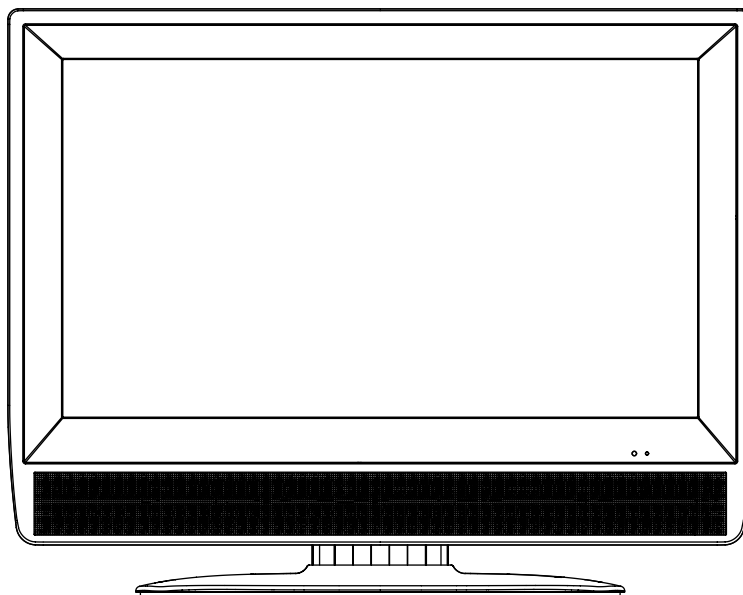
PARTS AND EXPLODED VIEWS

LCD COLOR TELEVISION

DD DOLBY
DIGITAL

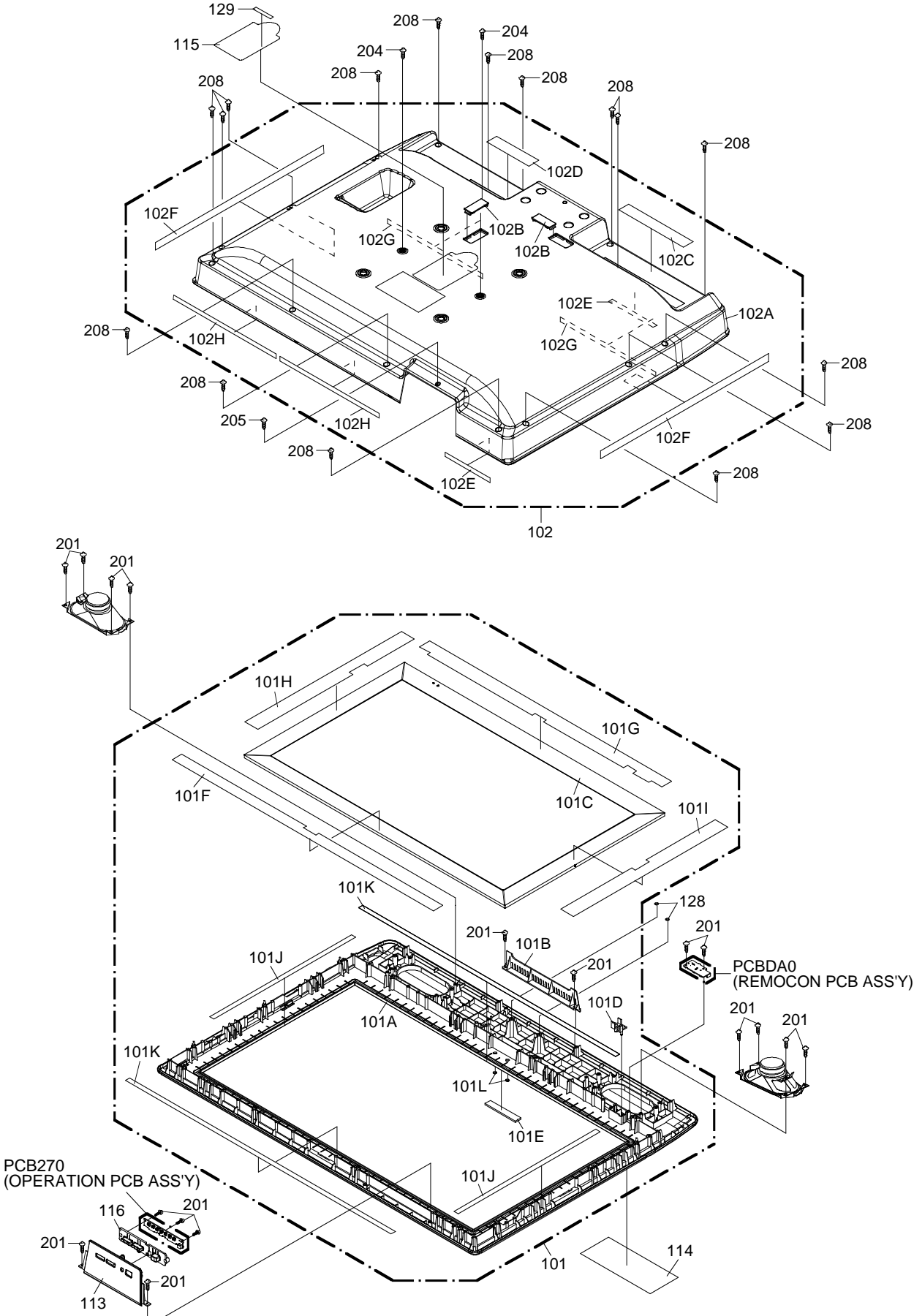
HDMI™
HIGH-DEFINITION MULTIMEDIA INTERFACE

HDTV
MONITOR

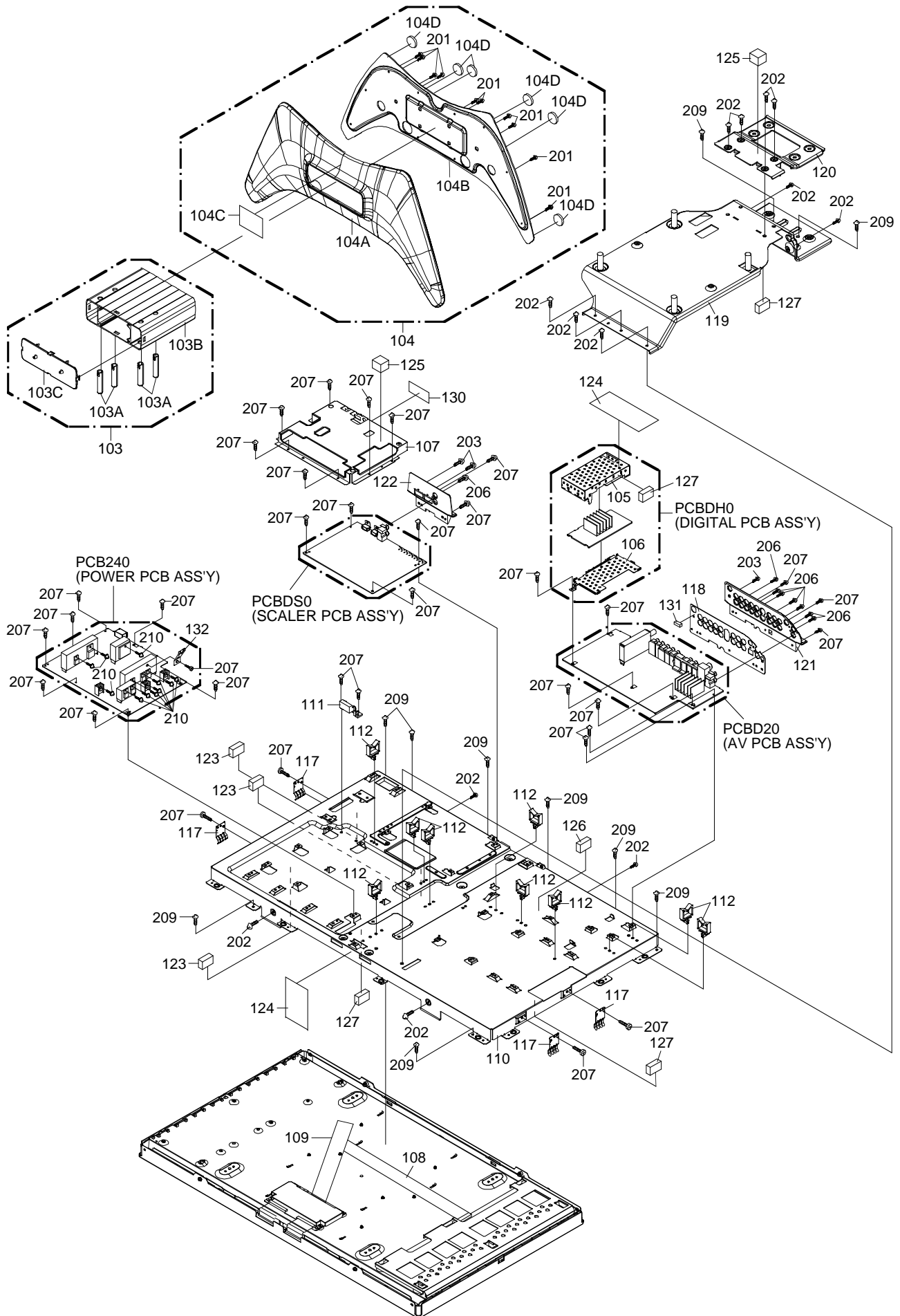


ORIGINAL
MFR'S VERSION A

MECHANICAL EXPLODED VIEW



MECHANICAL EXPLODED VIEW



MECHANICAL REPLACEMENT PARTS LIST

REF. NO.	PART NO.	DESCRIPTION	REF. NO.	PART NO.	DESCRIPTION
101	7A7010208A	FRONT,CABI ASS'Y	201	8110630A0U	SCREW TAP TITE(P) BRAZIER 3x10
101A	701WPB0212	CABINET,FRONT	202	810A14080U	SCREW WASHER(A) M4x8
101B	702WPA1229	COVER,STAND	203	810213080S	SCREW,PAN M3x8
101C	711WPD0708	PANEL,FRONT	204	810223080S	SCREW,BIND M3x8
101D	713WPA0389	GLASS,LED	205	8110630A0S	SCREW TAP TITE(P) BRAZIER 3x10
101E	7235270014	BADGE,BRAND	206	810923080S	SCREW TAP TITE(B) BIND 3x8
101F	7290000164	DOUBLE,FACE-TAPE TOP	207	810923080U	SCREW TAP TITE(B) BIND 3x8
101G	7290000165	DOUBLE,FACE-TAPE BOTTOM	208	8110230A4S	SCREW,TAP TITE(P) BIND 3x14
101H	7290000166	DOUBLE,FACE-TAPE L	209	8117540A2U	SCREW,TAPPING(B0) TRUSS 4x12
101I	7290000167	DOUBLE,FACE-TAPE R			
101J	800WQA0092	FELT SHEET	210	8109I30A0U	SCREW TAP TITE(B) WH7 3x10
101K	800WQ00102	FELT SHEET 9x730xT0.5			
101L	83SPN2000W	PUSH NUT	---	72300p8166	SHEET BARCODE
			---	7290000173	SHEET,INFORMATION
102	7A7020082A	BACK,CABI ASS'Y	---	774WPA0010	HOLDER,CORD
102A	702WPA1219	CABINET,BACK	---	791WHA0125	PACKING SACK
102B	706WPA0016	COVER,CONNECTOR	---	791WHA0126	PACKING SACK
102C	7230008121	SHEET,JACK-1	---	791WHA0127	LAMIFILM BAG
102D	7230008122	SHEET,JACK-2	---	792WHA0653	PACKAGE, TOP
102E	800WQA0064	FELT SHEET	---	792WHA0654	PACKAGE,BOTTOM
102F	800WQA0092	FELT SHEET	---	792WHA0660	PACKAGE,STAND-TOP
102G	800WQA0097	FELT SHEET	---	792WHA0661	PACKAGE,STAND-BOTTOM
102H	800WQA0108	FELT SHEET	---	793WCD1747	GIFT BOX
			---	890GDAIA24	SCREW
103	7A7640001A	FRAME,STAND ASS'Y	---	A3Y101E975	INSTRUCTION BOOK KIT
103A	701WPA1423	HOLDER,STAND	---	J3Y10117A	REGISTRATION CARD
103B	761WEB0001	FRAME,STAND	---	J3Y10131A	INSTRUCTION BOOK(E/F/S)
103C	761WPA0436	COVER,STAND FRAME	---	JA4ND200	POLYBAG INSTRUCTION(RED CAUTION)
104	7A7040014A	STAND ASS'Y			
104A	704WPB0020	STAND			
104B	761WSB0039	ANGLE,STAND			
104C	7290000172	SHEET,CAUTION			
104D	800WFA0063	CUSHION,LEG			
105	752WSA0555	SHIELD,DIGITAL			
106	752WSA0556	DIGITAL SHIELD,COVER			
107	752WSA0565	SHIELD,SCALER			
108	753WEA0031	SHEET,CU			
109	753WEA0034	SHEET,CU			
110	761WSA0330	COVER,LCD			
111	771WPA0343	HOLDER,AC-INLET			
112	899CH16000	HOLDER,WIRE			
113	711WPD0702	PLATE,BUTTON			
114	7230008152	POP,LABEL			
115	7235270022	SHEET,RATING			
116	735WPB0334	BUTTON,FRAME			
117	744WUA0022	SPRING,EARTH			
118	752WSA0566	SHIELD,JACK			
119	761WSA0331	ANGLE,BACK-1			
120	761WSA0332	ANGLE,BACK-2			
121	771WPA0341	PLATE,JACK-1			
122	771WPA0342	PLATE,JACK-2			
123	8965TS3020	CUSHION 65TS10-30 20x20x12			
124	890MP2401A	TAPE 50x35			
125	8965TS202A	CUSHION 65TS20-20 20x15x12			
126	800WFA0094	CUSHION 5x30xT6			
127	8965TS1017	CUSHION 65TS10-10 17.5x20x14			
128	800WBA0007	FIBER WASHER			
129	7220001220	SHEET SERIAL			
130	890MP2401G	TAPE 30X12			
131	8965TS0415	CUSHION 65TS4-2 15x50x16			
132	752WSA0519	SPRING,EARTH			

ELECTRICAL REPLACEMENT PARTS LIST

REF. NO.	PART NO.	DESCRIPTION	REF. NO.	PART NO.	DESCRIPTION
RESISTORS			DIODES		
△ R507	RC31X1155J	RC 1.5M OHM 1W	D513	D1VT001330	DIODE,SILICON 1SS133T-77
△ R524	R3X181R27J	R,METAL OXIDE 0.27 OHM 1W	D514	D97U05R61B	DIODE,ZENER MTZJ5.6B T-77
△ R527	R3X181R27J	R,METAL OXIDE 0.27 OHM 1W	D515	D97U06R21B	DIODE,ZENER MTZJ6.2B T-77
△ R529	R63881R22J	R,FUSE 0.22 OHM 1W	D516	D1VT001330	DIODE,SILICON 1SS133T-77
△ R530	R3X181R27J	R,METAL OXIDE 0.27 OHM 1W	△ D517	D97U06R21B	DIODE,ZENER MTZJ6.2B T-77
△ R532	R65584101J	R,FUSE 100 OHM 1/4W	D518	D2B0RU3AM0	DIODE,SILICON RU3AM
△ R534	R3X18A104J	R,METAL OXIDE 100K OHM 2W	D519	D1VT001330	DIODE,SILICON 1SS133T-77
△ R535	R65584101J	R,FUSE 100 OHM 1/4W	D520	D2BXARS010	DIODE,SILICON SARS01-V1
△ R537	R3X18A104J	R,METAL OXIDE 100K OHM 2W	D521	D1VT001330	DIODE,SILICON 1SS133T-77
△ R600	R5X2AE010J	R,CEMENT 1 OHM 7W	D522	D1VT001330	DIODE,SILICON 1SS133T-77
R5820	R002T4104J	RC 100K OHM 1/4W	D523	D4AT01H3E0	DIODE,RECTIFIER 1H3-E or
CAPACITORS			DIODES		
C340	E61FF3821D	CE 820 UF 25V	D524	D4AT01H3E0	DIODE,RECTIFIER 10ERB20-TA1B2 or
C342	E61FF3821D	CE 820 UF 25V	D525	D28T0ERB20	DIODE,RECTIFIER 10ERB20-TA1B2
△ C503	P2122B224M	CMP 0.22 UF 275V ECQUL	D526	D1VT001330	DIODE,SILICON 1SS133T-77
△ C506	CD39E0ME3M	CC 0.0015UF 250V	D527	D1VT001330	DIODE,SILICON 1SS133T-77
△ C507	P2122B104M	CMP 0.1 UF 275V ECQUL	△ D528	D2BAMX22S0	DIODE,SCHOTTKY FMX-22S
△ C509	P2122B224M	CMP 0.22 UF 275V ECQUL	D529	D4AT01H3E0	DIODE,RECTIFIER 1H3-E or
△ C510	E71LFC591D	CE 590 UF 200V	△ D530	D28T0ERB20	DIODE,RECTIFIER 10ERB20-TA1B2
△ C511	E61DFC101D	CE 100 UF 200V	△ D531	D2BAMX22S0	DIODE,SCHOTTKY FMX-22S
C513	C0PLRR7G3K	CC 0.0018 UF 2KV R	△ D532	D2BAMX22S0	DIODE,SCHOTTKY FMX-22S
C515	C0PLRR7U2K	CC 680 PF 2KV R	△ D533	D27A85T400	DIODE,SCHOTTKY RB085T-40
C521	C03L0R7H2K	CC 220 PF 2KV R or	△ D534	D2CA2C15R0	DIODE,SCHOTTKY BARRIER YG862C15R
C523	P411F4393J	CMPP 0.039 UF 400V ECWF	D535	D97U02701B	DIODE,ZENER MTZJ27B T-77
C527	P411F4393J	CMPP 0.039 UF 400V ECWF	D538	D28T21DQN9	DIODE,SCHOTTKY 21DQ09N-TA2B1
△ C529	CD39B0MQ2K	CC 470 PF 250V	D539	DD7R0S3550	DIODE,SILICON 1SS355 TE-17
△ C530	CD39B0MH2K	CC 220 PF 250V	D540	D28R1QS040	DIODE EC31QS04-TE12L
C531	C03L0R7H2K	CC 220 PF 2KV R or	D541	D28R1QS040	DIODE EC31QS04-TE12L
C532	C03L0R7H2K	CC 220 PF 2KV R or	D542	D28R1QS040	DIODE EC31QS04-TE12L
△ C535	E61FF3102D	CE 1000 UF 25V	D543	D2LKS3400	DIODE,SCHOTTKY SR340-004 or
C536	C03L0R7H2K	CC 220 PF 2KV R or	D544	D2LKB340F0	DIODE,SCHOTTKY SB340FL-6737
△ C537	E61FF1222D	CE 220 PF 2KV R	D545	0021E9Q010	LED LTL-1BEFJ-002A
△ C539	E61FF4122D	CE 2200 UF 10V	D802	D2WYN40050	DIODE,SILICON 1N4005-EIC
△ C540	E61FF3102D	CE 1200 UF 35V	D803	DE7RB5R62B	DIODE,ZENER UDZS5.6B TE-17
△ C541	E61FF3102D	CE 1000 UF 25V	D805	DE7RB5R62B	DIODE,ZENER UDZS5.6B TE-17
△ C542	E02LU2101M	CE 100 UF 16V	D807	DD7R0S3550	DIODE,SILICON 1SS355 TE-17
△ C543	E61FF4122D	CE 1200 UF 35V	D808	DD7R0S3550	DIODE,SILICON 1SS355 TE-17
△ C544	E61FF2102D	CE 1000 UF 16V	D901	D97U05R61B	DIODE,ZENER MTZJ5.6B T-77
△ C545	E61FF2102D	CE 1000 UF 16V	D3206	D28R1QS040	DIODE EC31QS04-TE12L
△ C547	E5EZU2221M	CE 220 UF 16V	D3207	D28R1QS040	DIODE EC31QS04-TE12L
△ C548	E5EZU2221M	CE 220 UF 16V	D3212	D28R11FS20	DIODE EC11FS2-TE12L
△ C549	E61FF4122D	CE 1200 UF 35V	D3402	D28R1QS040	DIODE EC31QS04-TE12L
△ C558	E02LU2101M	CE 100 UF 16V	D3403	D28R11FS20	DIODE EC11FS2-TE12L
△ C560	E61FT2681D	CE 680 UF 16V	D3404	D28R11FS20	DIODE EC11FS2-TE12L
△ C583	E61DFC101D	CE 100 UF 200V	D3405	D28R1QS040	DIODE EC31QS04-TE12L
C3801	E61FF2102D	CE 1000 UF 16V	D3406	D28R1QS040	DIODE EC31QS04-TE12L
C3802	E61FF2102D	CE 1000 UF 16V	D3407	DD7R20S300	DIODE,SCHOTTKY BARRIER RB520S-30-TE61
C3803	E61FF2102D	CE 1000 UF 16V	D3408	D27RX301L0	DIODE,SCHOTTKY RSX301L-30TE25
C3810	E61FF2102D	CE 1000 UF 16V	D3600	DD7R60L400	DIODE,SCHOTTKY RB160L-40-TE25
C3825	E61FF3821D	CE 820 UF 25V	D3601	D77R1A1R10	DIODE,VARISTA AVRL161A1R1NT
C3826	E61FF3821D	CE 820 UF 25V	D3602	DE7RB5R62B	DIODE,ZENER UDZS5.6B TE-17
C5824	E02LT0102M	CE 1000 UF 6.3V	D3603	D77R1A1R10	DIODE,VARISTA AVRL161A1R1NT
C5826	C0JTSL4Q1J	CC 47 PF 50V SL	D3604	DD7R60L400	DIODE,SCHOTTKY RB160L-40-TE25
DIODES			D3605	DD7R60L400	DIODE,SCHOTTKY RB160L-40-TE25
D101	DE7RB5R62B	DIODE,ZENER UDZS5.6B TE-17	D3609	DE7RB3R32B	DIODE,ZENER UDZS3.3B TE-17
D105	DD7R20S300	DIODE,SCHOTTKY BARRIER RB520S-30-TE61	D3613	DE7RB3R32B	DIODE,ZENER UDZS3.3B TE-17
D109	DD7R20S300	DIODE,SCHOTTKY BARRIER RB520S-30-TE61	D3626	D77R1A1R10	DIODE,VARISTA AVRL161A1R1NT
D302	D28R1QS040	DIODE EC31QS04-TE12L	D3627	D77R1A1R10	DIODE,VARISTA AVRL161A1R1NT
D303	D28R1QS040	DIODE EC31QS04-TE12L	D3628	D28R1QS040	DIODE EC31QS04-TE12L
D304	D28R1QS040	DIODE EC31QS04-TE12L	D3629	D28R1QS040	DIODE EC31QS04-TE12L
D305	D28R1QS040	DIODE EC31QS04-TE12L	D3630	DE7RB5R62B	DIODE,ZENER UDZS5.6B TE-17
D501	D4AT01H3E0	DIODE,RECTIFIER 1H3-E or	D3801	D1VT001330	DIODE,SILICON 1SS133T-77
D502	D28X0ERB20	DIODE,RECTIFIER 10ERB20-TA2B5	D3802	D28T21DQN4	DIODE,SCHOTTKY 21DQ04N-TA2B1
△ D503	D6CE24110A	DIODE,VARISTA ENE241D-10A-Q6	D3804	D4AT01H3E0	DIODE,RECTIFIER 1H3-E or
△ D504	DOU002720M	DIODE,VARISTA DSS-272M-S00B	D3805	D28T0ERB20	DIODE,RECTIFIER 10ERB20-TA1B2 or
△ D505	D6E027110A	DIODE,VARISTA ENE271D-10A	D3811	D28T0ERB20	DIODE,RECTIFIER 10ERB20-TA1B2
D506	D97U02R21B	DIODE,ZENER MTZJ2.2B T-77	D3812	D28R1QS040	DIODE EC31QS04-TE12L
△ D507	D2B0BV6080	DIODE,BRIDGE RBV-608	D4202	D28R1QS040	DIODE EC31QS04-TE12L
△ D508	D2WTRM11C0	DIODE,SILICON RM11C-EIC	D4203	DE7RB8R22B	DIODE,ZENER UDZS8.2B TE-17
△ D509	D2WTRM11C0	DIODE,SILICON RM11C-EIC	D4206	D97U08R21B	DIODE,ZENER UDZS8.2B TE-17
△ D510	D2WTRM11C0	DIODE,SILICON RM11C-EIC	D4207	D97U08R21B	DIODE,ZENER MTZJ8.2B T-77
△ D511	D2WTRM11C0	DIODE,SILICON RM11C-EIC	D4208	DE7RB8R22B	DIODE,ZENER MTZJ8.2B T-77
D512	D1VT001330	DIODE,SILICON 1SS133T-77			DIODE,ZENER UDZS8.2B TE-17

ELECTRICAL REPLACEMENT PARTS LIST

REF. NO.	PART NO.	DESCRIPTION	REF. NO.	PART NO.	DESCRIPTION
DIODES					
D4209	D1VT001330	DIODE,SILICON			
D4210	DE7RB8R22B	DIODE,ZENER			
D4301	DE7RB5R62B	DIODE,ZENER			
D4302	DE7RB5R62B	DIODE,ZENER			
ICS					
IC101	I56F07154A	IC			
IC102	I9UF032290	IC			
IC103	S3Y101EE02	MEMORY DATA			
IC104	S3Y101EE01	MEMORY DATA			
△ IC301	I1MFPA2020	IC			
△ IC501	I1KJ9A431A	IC			
△ IC502	I0BT0X6730	IC			
△ IC503	I2BT0W6730	IC			
△ IC504	I1KJ9A431A	IC			
△ IC505	I07A078100	IC			
△ IC506	I07T0BC0W0	IC			
△ IC508	I03T057740	IC			
IC509	I1LF010150	IC			
△ IC510	I0GA9090R0	IC			
△ IC511	000220002W	PHOTO COUPLER			
△ IC512	000220002W	PHOTO COUPLER			
IC801	I56K07A720	IC			
IC904	I19FF4440G	IC			
IC2101	IFSK0883C0	IC			
IC2401	IFNME240H0	IC			
IC2402	ICLJ022ET5	IC			
IC2403	ICLJ022ET5	IC			
IC2404	I57F04L640	IC			
IC2405	I97F052290	IC			
IC2406	ICLF0281A0	IC			
△ IC3201	I07F0C0WF0	IC			
△ IC3202	I07F078200	IC			
IC3401	I1LF010420	IC			
△ IC3402	I07F0C0WF0	IC			
△ IC3403	I07F078200	IC			
△ IC3404	I07F00HFP0	IC			
IC3601	I07F078200	IC			
IC3602	I07F0C0WF0	IC			
IC3605	IG1F090210	IC			
IC3606	S3Y101EE04	MEMORY DATA			
IC3608	S3Y101EE03	MEMORY DATA			
IC3609	S3Y101EE05	MEMORY DATA			
IC3611	ICMF0T89E0	IC			
IC3801	I1LF010100	IC			
△ IC3804	I0GA9XF010	IC			
IC3805	I03D979950	IC			
IC4201	I01F05853B	IC			
IC4204	I0QF025840	IC			
IC4304	I0QF02534V	IC			
IC4305	I0QF02534V	IC			
IC4401	I0QF025840	IC			
IC5801	I55J07W660	IC			
IC7201	IF8F0385A0	IC			
IC8103	I0UF015010	IC			
TRANSISTORS					
Q101	TNRAC05003	COMPOUND TRANSISTOR			
	TNAAC05002	COMPOUND TRANSISTOR			
Q104	T2AA5132E0	FET			
	T27T030180	FET			
Q105	TPRAC05003	COMPOUND TRANSISTOR			
	TPAAC05002	COMPOUND TRANSISTOR			
Q106	T2AA5132E0	FET			
	T27T030180	FET			
Q300	T8RA030520	TRANSISTOR,SILICON			
Q301	T8RA030520	TRANSISTOR,SILICON			
Q302	T8RA030520	TRANSISTOR,SILICON			
Q501	TCATC31980	TRANSISTOR,SILICON			
Q502	TNRAB05004	COMPOUND TRANSISTOR			
	TNAAB05003	COMPOUND TRANSISTOR			
Q503	T6RA015300	TRANSISTOR,SILICON			
	TAAA1504SY	TRANSISTOR,SILICON			
Q504	TJ7M50P030	FET			
Q505	TNAAB05003	COMPOUND TRANSISTOR			
Q507	TNAAB05003	COMPOUND TRANSISTOR			
Q508	T6RA015300	TRANSISTOR,SILICON			
	TAAA1504SY	TRANSISTOR,SILICON			
Q511	T8RA030520	TRANSISTOR,SILICON			
	TCAA3875SY	TRANSISTOR,SILICON			
Q512	T0300J6500	FET			
Q513	T8RA030520	TRANSISTOR,SILICON			
	TCAA3875SY	TRANSISTOR,SILICON			
Q514	TNRAB05004	COMPOUND TRANSISTOR			
	TNAAB05003	COMPOUND TRANSISTOR			
Q515	TNAAB05003	COMPOUND TRANSISTOR			
Q901	T8RA030520	TRANSISTOR,SILICON			
Q902	T8RA030520	TRANSISTOR,SILICON			
Q2101	T6RA015300	TRANSISTOR,SILICON			
Q2401	T2AA5132E0	FET			
Q2403	T2AA5132E0	FET			
Q2404	T2AA5132E0	FET			
Q2406	T2AA5132E0	FET			
Q2407	T2AA5132E0	FET			
Q3205	TAAA01664Y	TRANSISTOR,SILICON			
Q3206	TNAAB05003	COMPOUND TRANSISTOR			
Q3210	T8RA030520	TRANSISTOR,SILICON			
Q3211	T8RA030520	TRANSISTOR,SILICON			
Q3403	TCAA3875SY	TRANSISTOR,SILICON			
	T8RA039280	TRANSISTOR,SILICON			
Q3404	TNAAC05002	COMPOUND TRANSISTOR			
	TNRAC05003	COMPOUND TRANSISTOR			
△ Q3405	TJYASP8K30	FET			
Q3406	TNAAC05002	COMPOUND TRANSISTOR			
	TNRAC05003	COMPOUND TRANSISTOR			
Q3407	TPAAA05001	COMPOUND TRANSISTOR			
	TPRAA05002	COMPOUND TRANSISTOR			
Q3603	T2AA5132E0	FET			
	T27T030180	FET			
Q3604	T2AA5132E0	FET			
	T27T030180	FET			
Q3605	T2AA5132E0	FET			
	T27T030180	FET			
Q3606	T2AA5132E0	FET			
	T27T030180	FET			
Q3607	T2AA5132E0	FET			
	T27T030180	FET			
Q3613	T8RA030520	TRANSISTOR,SILICON			
Q3615	T2AA5132E0	FET			
	T27T030180	FET			
Q3616	T2AA5132E0	FET			
	T27T030180	FET			
Q3617	T2AA5132E0	FET			
	T27T030180	FET			
Q3618	T2AA5132E0	FET			
	T27T030180	FET			
Q3619	T8RA030520	TRANSISTOR,SILICON			
Q3620	T2AA5132E0	FET			
	T27T030180	FET			
Q3813	TJ7M50P030	FET			
Q4202	T8RA030520	TRANSISTOR,SILICON			
Q4203	T8RA030520	TRANSISTOR,SILICON			
Q4205	T8RA030520	TRANSISTOR,SILICON			
Q4206	T8RA030520	TRANSISTOR,SILICON			
Q4207	T8RA030520	TRANSISTOR,SILICON			
Q4208	T2AA5132E0	FET			
	T27T030180	FET			
Q4209	T8RA030520	TRANSISTOR,SILICON			
Q4210	T2AA5132E0	FET			
	T27T030180	FET			
Q4231	TPRAC05003	COMPOUND TRANSISTOR			
	TPYJC05001	COMPOUND TRANSISTOR			
Q4233	TNRAB05004	COMPOUND TRANSISTOR			
	TNAAB05003	COMPOUND TRANSISTOR			
Q4302	T8RA030520	TRANSISTOR,SILICON			
Q4305	T8RA030520	TRANSISTOR,SILICON			
Q4401	T6RA015300	TRANSISTOR,SILICON			
Q4402	TPRAB05002	COMPOUND TRANSISTOR			
	TPAAB05001	COMPOUND TRANSISTOR			
Q4403	TNAAB05003	COMPOUND TRANSISTOR			
Q4409	T6RA015300	TRANSISTOR,SILICON			
Q4410	T6RA015300	TRANSISTOR,SILICON			
Q5801	TPRAA05002	COMPOUND TRANSISTOR			
Q5802	TNRAC05003	COMPOUND TRANSISTOR			
Q5803	T8A03841Q	TRANSISTOR,SILICON			

ELECTRICAL REPLACEMENT PARTS LIST

REF. NO.	PART NO.	DESCRIPTION	REF. NO.	PART NO.	DESCRIPTION
TRANSISTORS			JACKS		
Q5804	T8A03841Q	TRANSISTOR,SILICON 2SC3841-T1B_T63	△ J502	064Q1A0003	JACK,AC CCT2302-0911
Q5805	T8A03841Q	TRANSISTOR,SILICON 2SC3841-T1B_T63	J4201	060K411041	RCA JACK AV2-13P2-07H
Q8101	T6RA015300	TRANSISTOR,SILICON 2SA1530A-T1	J4202	060K401126	RCA JACK AVG-2-13
Q8102	T8RA030520	TRANSISTOR,SILICON 2SC3052-T1	J4204	060K471011	RCA JACK AV4-57A03-01H
Q8103	T8RA030520	TRANSISTOR,SILICON 2SC3052-T1	J4205	063E000082	JACK PLATE SAV-12CP-01Z5
Q8105	T6RA015300	TRANSISTOR,SILICON 2SA1530A-T1	J4211	060K441006	RCA JACK AV6-53-13H
Q8106	T6RA015300	TRANSISTOR,SILICON 2SA1530A-T1	J4301	060J431025	RCA JACK MSD-242VA1-03_NL_FE_LF
COILS & TRANSFORMERS			SWITCHES		
L300	021W0G100M	COIL 10 UH	SW2201	0504101T34	SWITCH,TACT EVQ21505R
L301	021W0G100M	COIL 10 UH	SW2202	0504101T34	SWITCH,TACT EVQ21505R
L302	021W0G100M	COIL 10 UH	SW2203	0504101T34	SWITCH,TACT EVQ21505R
L303	021W0G100M	COIL 10 UH	SW2204	0504101T34	SWITCH,TACT EVQ21505R
L501	02167E220K	COIL 22 UH	SW2205	0504101T34	SWITCH,TACT EVQ21505R
L502	0218616R8L	COIL 6.8 UH	SW2206	0504101T34	SWITCH,TACT EVQ21505R
L503	0218616R8L	COIL 6.8 UH	P.C. BOARD ASSEMBLIES		
L504	021W0G330M	COIL 33 UH	PCB240	A3Y101E240	PCB ASS'Y CEF171A
L505	021W0G100M	COIL 10 UH	PCB270	A3Y101E270	PCB ASS'Y CEF185A
△ L506	029X000129	COIL,LINE FILTER SS30V-R300071	PCBD20	A3Y101ED20	PCB ASS'Y CMF080A
△ L507	029X000129	COIL,LINE FILTER SS30V-R300071	PCBDA0	A3Y101EDA0	PCB ASS'Y CEF182A
L901	02167F100J	COIL 10 UH	PCBDH0	A3Y101EDH0	PCB ASS'Y CEF169A
L903	02167F100J	COIL 10 UH	PCBDS0	A3Y101EDS0	PCB ASS'Y CEF156A
L904	02167F100J	COIL 10 UH	MISCELLANEOUS		
L2101	0216S8220K	COIL 22 UH	B501	024HT03563	CORE,BEADS W4BRH3.5X6X1.0X2
L2102	0216S8220K	COIL 22 UH	B502	024HT03564	CORE,BEADS W4BRH3.5X6X1.0
L2103	0216S8470K	COIL 47 UH	B505	024BC5121J	CORE,BEADS BLM18PG121SN1D
L2106	0216S42R2J	COIL 2.2 UH	B506	024AC5181J	CORE,BEADS BLM18PG181SN1D
L2107	0216S8220K	COIL 22 UH	B507	024AC5181J	CORE,BEADS BLM18PG181SN1D
L2401	0216SD1R0J	COIL 1 UH	B508	024BC5121J	CORE,BEADS BLM18PG121SN1D
L2411	0216SDR47J	COIL 0.47 UH	B801	024AC5181J	CORE,BEADS BLM18PG181SN1D
L2412	0216SDR47J	COIL 0.47 UH	B802	024AC5181J	CORE,BEADS BLM18PG181SN1D
L2413	0216SDR47J	COIL 0.47 UH	B803	024HC56005	CORE,BEADS FCM1608CF-600T06 or
L2414	0216SDR47J	COIL 0.47 UH	B804	024AC5600E	CORE,BEADS BLM18BB600SN1D
L3401	0211M44R7M	COIL 4.7 UH	B804	024HC56005	CORE,BEADS FCM1608CF-600T06 or
L3601	02D6000068	COIL,CHOKE ACM2012D-900-2P-T00	B804	024AC5600E	CORE,BEADS BLM18BB600SN1D
L3602	02D6000068	COIL,CHOKE ACM2012D-900-2P-T00	B805	024AC5181J	CORE,BEADS BLM18PG181SN1D
L3603	02D6000068	COIL,CHOKE ACM2012D-900-2P-T00	B901	024BC5121J	CORE,BEADS BLM18PG121SN1D
L3604	02D6000068	COIL,CHOKE ACM2012D-900-2P-T00	B902	024HC56005	CORE,BEADS FCM1608CF-600T06 or
L3605	02D6000068	COIL,CHOKE ACM2012D-900-2P-T00	B902	024AC5600E	CORE,BEADS BLM18BB600SN1D
L3606	02D6000068	COIL,CHOKE ACM2012D-900-2P-T00	B903	024BC5121J	CORE,BEADS BLM18PG121SN1D
L3607	02D6000068	COIL,CHOKE ACM2012D-900-2P-T00	B904	024HC51023	CORE,BEADS FCM1608KF-102T02 or
L3608	02D6000068	COIL,CHOKE ACM2012D-900-2P-T00	B904	024AC5102F	CORE,BEADS BLM18BD102SN1D
L3801	02167E220K	COIL 22 UH	B906	024HC51023	CORE,BEADS FCM1608KF-102T02 or
L3802	02167E220K	COIL 22 UH	B906	024AC5102F	CORE,BEADS BLM18BD102SN1D
L3803	02167E220K	COIL 22 UH	B2101	024HC56005	CORE,BEADS FCM1608CF-600T06 or
L3804	02167E220K	COIL 22 UH	B2401	024AC5151E	CORE,BEADS BLM18BD151SN1D
L3806	021404150M	COIL 15 UH	B2402	024AC5151E	CORE,BEADS BLM18BD151SN1D
L3807	02167E100K	COIL 10 UH	B2403	024AC5151E	CORE,BEADS BLM18BD151SN1D
L3809	0218616R8L	COIL 6.8 UH	B2404	024AC5151E	CORE,BEADS BLM18BD151SN1D
L3810	02167E100K	COIL 10 UH	B2405	024AC5151E	CORE,BEADS BLM18BD151SN1D
L4201	02167F101J	COIL 100 UH	B2406	024AC5151E	CORE,BEADS BLM18BD151SN1D
L4202	02167F470J	COIL 47 UH	B2407	024AC1601G	CORE,BEADS BLM31PG601SN1L
L4203	02167F470J	COIL 47 UH	B2408	024AC1601G	CORE,BEADS BLM31PG601SN1L
L4206	02167F470J	COIL 47 UH	B2409	024AC1601G	CORE,BEADS BLM31PG601SN1L
L4207	02167F470J	COIL 47 UH	B2410	024AC5151E	CORE,BEADS BLM18BD151SN1D
L4212	021LA6220J	COIL 22 UH	B2411	024AC5151E	CORE,BEADS BLM18BD151SN1D
L4213	021LA6220J	COIL 22 UH	B2412	024AC5151E	CORE,BEADS BLM18BD151SN1D
L4214	021LA6220J	COIL 22 UH	B2413	024AC5102F	CORE,BEADS BLM18BD102SN1D
L4215	021LA6220J	COIL 22 UH	B2414	024AC5102F	CORE,BEADS BLM18BD102SN1D
L4216	021LA6220J	COIL 22 UH	B2415	024AC5102F	CORE,BEADS BLM18BD102SN1D
L4217	021LA6220J	COIL 22 UH	B2416	024AC5151E	CORE,BEADS BLM18BD151SN1D
L4218	021LA6220J	COIL 22 UH	B2417	024AC5151E	CORE,BEADS BLM18BD151SN1D
L4219	021LA6220J	COIL 22 UH	B2418	024AC5151E	CORE,BEADS BLM18BD151SN1D
L4301	0216S8470K	COIL 47 UH	B2419	024AC5151E	CORE,BEADS BLM18BD151SN1D
L4306	0216S8220K	COIL 22 UH	B2420	024AC5151E	CORE,BEADS BLM18BD151SN1D
L4401	02167F221J	COIL 220 UH	B2421	024AC5102F	CORE,BEADS BLM18BD102SN1D
L4403	02167F470J	COIL 47 UH	B2422	024AC5102F	CORE,BEADS BLM18BD102SN1D
L5801	02167F220J	COIL 22 UH	B2423	024AC5102F	CORE,BEADS BLM18BD102SN1D
L5802	02167F220J	COIL 22 UH	B2424	024AC5102F	CORE,BEADS BLM18BD102SN1D
L5803	02167F101J	COIL 100 UH	B2425	024AC5102F	CORE,BEADS BLM18BD102SN1D
L5804	021LA6220J	COIL 22 UH	B2426	024AC5102F	CORE,BEADS BLM18BD102SN1D
L7201	0216S8470K	COIL 47 UH	B2427	024AC5102F	CORE,BEADS BLM18BD102SN1D
L7202	0216S8470K	COIL 47 UH	B3201	024AC5181J	CORE,BEADS BLM18PG181SN1D
L7203	0216S8470K	COIL 47 UH	B3202	024AC5181J	CORE,BEADS BLM18PG181SN1D
L8102	0216S8470K	COIL 47 UH	B3203	024AC5181J	CORE,BEADS BLM18PG181SN1D
L8105	0216S8220K	COIL 22 UH	B3206	024AC5181J	CORE,BEADS BLM18PG181SN1D
△ T501	0481350964	TRANSFORMER,SWITCHING 81350964	B3207	024AC5181J	CORE,BEADS BLM18PG181SN1D
△ T502	0481420774	TRANSFORMER,SWITCHING 81420774			

ELECTRICAL REPLACEMENT PARTS LIST

REF. NO.	PART NO.	DESCRIPTION	REF. NO.	PART NO.	DESCRIPTION
MISCELLANEOUS			MISCELLANEOUS		
B3209	024AC5181J	CORE,BEADS	CP802	069EUV03030	CONNECTOR PCB SIDE 00_6232_030_006_800+
B3210	024AC5181J	CORE,BEADS	CP803	069EVT3030	CONNECTOR PCB SIDE 00_6232_029_006_800+
B3401	024AC5330J	CORE,BEADS	CP901	069S240629	CONNECTOR PCB SIDE A2001WV2-4P
B3402	024AC1391G	CORE,BEADS	CD2201	06CU236302	CORD,CONNECTOR CU236302
B3406	024AC1601G	CORE,BEADS	△ CD3801	1209119904	CORD,SET AC 9119904
B3407	024AC1601G	CORE,BEADS	CD3802	06CU124001	CORD,CONNECTOR CU124001
B3408	024AC1601G	CORE,BEADS	CD3803	06CU1C4501	CORD,CONNECTOR CU1C4501
B3410	024AC5151E	CORE,BEADS	CD3804	06CU174001	CORD,CONNECTOR CU174001
B3601	024HC36001	CORE,BEADS	CD3805	06CU145003	CORD,CONNECTOR CU145003
B3602	024HC36001	CORE,BEADS	CD3806	06CU274502	CORD,CONNECTOR CU274502
B3603	024HC36001	CORE,BEADS	CD3807	06CU2B6601	CORD,CONNECTOR CU2B6601
B3604	024HC36001	CORE,BEADS	CD4202	06CU256001	CORD,CONNECTOR CU256001
B3605	024HC56005	CORE,BEADS	CD4203	122HOT1801	CORD,JUMPER 2HOT1801
	024AC5600E	CORE,BEADS	CD4204	122HOU1802	CORD,JUMPER 2HOU1802
B3606	024HC51023	CORE,BEADS	CD7204	06CHR03201	CORD,CONNECTOR CHR03201
	024AC5102F	CORE,BEADS	CP2200	069S230629	CONNECTOR PCB SIDE A2001WV2-3P
B3612	024HC51023	CORE,BEADS	CP2201	069S250639	CONNECTOR PCB SIDE A2001WR2-5P
	024AC5102F	CORE,BEADS	CP2203	069S230639	CONNECTOR PCB SIDE A2001WR2-3P
B3613	024HC36001	CORE,BEADS	CP2403	06972KT059	CONNECTOR PCB SIDE 125607220W3
B3801	024HT03553	CORE,BEADS	CP2404	06972KT059	CONNECTOR PCB SIDE 125607220W3
B4202	024HC56005	CORE,BEADS	CP2405	069AAA1009	CONNECTOR PCB SIDE YKF45-0036N
	024AC5600E	CORE,BEADS	CP3201	069S2B0629	CONNECTOR PCB SIDE A2001WV2-11P
B4203	024HT03553	CORE,BEADS	CP3601	069HYJ3010	CONNECTOR PCB SIDE DC1R019JDA
B4204	024HC56005	CORE,BEADS	CP3602	069S240629	CONNECTOR PCB SIDE A2001WV2-4P
	024AC5600E	CORE,BEADS	CP3603	069HYJ3010	CONNECTOR PCB SIDE DC1R019JDA
B4205	024HC56005	CORE,BEADS	CP3604	069S290629	CONNECTOR PCB SIDE A2001WV2-9P
	024AC5600E	CORE,BEADS	CP3801	069S140019	CONNECTOR PCB SIDE A2501WV2-4P
B4211	024HC56005	CORE,BEADS	CP3802	069S120019	CONNECTOR PCB SIDE A2501WV2-2P
	024AC5600E	CORE,BEADS	CP3803	069S1C0019	CONNECTOR PCB SIDE A2501WV2-12P
B4214	024HC56005	CORE,BEADS	CP3804	069S170019	CONNECTOR PCB SIDE A2501WV2-7P
	024AC5600E	CORE,BEADS	CP3807	069S2B0629	CONNECTOR PCB SIDE A2001WV2-11P
B4215	024HC56005	CORE,BEADS	CP3808	069S270629	CONNECTOR PCB SIDE A2001WV2-7P
	024AC5600E	CORE,BEADS	CP4202	069S250629	CONNECTOR PCB SIDE A2001WV2-5P
B4216	024HC56005	CORE,BEADS	CP4203	069EVT3030	CONNECTOR PCB SIDE 00_6232_029_006_800+
	024AC5600E	CORE,BEADS	CP4204	069EUV03030	CONNECTOR PCB SIDE 00_6232_030_006_800+
B4217	024HC56005	CORE,BEADS	CP5801	06972KM020	CONNECTOR PCB SIDE TKC-W20P-U1
	024AC5600E	CORE,BEADS	CP5802	06972KM020	CONNECTOR PCB SIDE TKC-W20P-U1
B4218	024HC56005	CORE,BEADS	CP7203	069HVWT04A	CONNECTOR PCB SIDE FI-X30S-HF-NPB
	024AC5600E	CORE,BEADS	EL2401	124116281A	EYE LET XRY16X28BD
B4219	024HC56005	CORE,BEADS	EL2402	124120301A	EYE LET XRY20X30BD
	024AC5600E	CORE,BEADS	△ F501	081PC6R305	FUSE 51M5063L
B4220	024HC56005	CORE,BEADS	△ F502	0835A07005	MICRO FUSE 20N_7000FSW
	024AC5600E	CORE,BEADS	FH501	06710T0009	HOLDER,FUSE EYF-52BCY
B4221	024HC56005	CORE,BEADS	FH502	06710T0009	HOLDER,FUSE EYF-52BCY
	024AC5600E	CORE,BEADS	NR801	110P4000M4	R,NETWORK 4D03WGJ0000T5E
B4222	024HC56005	CORE,BEADS	NR802	110P4470M4	R,NETWORK 4D03WGJ0470T5E
	024AC5600E	CORE,BEADS	NR803	110P4470M4	R,NETWORK 4D03WGJ0470T5E
B4307	0246C51024	CORE,BEADS	NR804	110P4470M4	R,NETWORK 4D03WGJ0470T5E
B4308	0246C51024	CORE,BEADS	NR805	110P4470M4	R,NETWORK 4D03WGJ0470T5E
B5801	024AC5181J	CORE,BEADS	NR806	110P4470M4	R,NETWORK 4D03WGJ0470T5E
B5802	024AC5181J	CORE,BEADS	NR807	110P4470M4	R,NETWORK 4D03WGJ0470T5E
B5803	024AC5181J	CORE,BEADS	NR808	110P4103M4	R,NETWORK 4D03WGJ0103T5E
B7201	024HC56005	CORE,BEADS	NR809	110P4103M4	R,NETWORK 4D03WGJ0103T5E
	024AC5600E	CORE,BEADS	NR2101	110P4101M4	R,NETWORK 4D03WGJ0101T5E
BT001	141U004016	BATTERY,MANGAN	NR2102	110P4101M4	R,NETWORK 4D03WGJ0101T5E
	141R004016	BATTERY,MANGAN	NR2103	110P4101M4	R,NETWORK 4D03WGJ0101T5E
BT002	141U004016	BATTERY,MANGAN	NR2104	110P4101M4	R,NETWORK 4D03WGJ0101T5E
	141R004016	BATTERY,MANGAN	NR2105	110P4101M4	R,NETWORK 4D03WGJ0101T5E
CD301	06CU123401	CORD,CONNECTOR	NR2106	110P4101M4	R,NETWORK 4D03WGJ0101T5E
CD303	06CU128001	CORD,CONNECTOR	NR2401	110P4102M5	R,NETWORK 4D02WGJ0102TCE
CD505	06CU2E5401	CORD,CONNECTOR	NR2402	110P4220M6	R,NETWORK 4D02WGJ0220TCE
CD901	06CU248101	CORD,CONNECTOR	NR2403	110P4220M6	R,NETWORK 4D02WGJ0220TCE
CP101	069S250629	CONNECTOR PCB SIDE	NR2404	110P4220M6	R,NETWORK 4D02WGJ0220TCE
CP102	069S2A0629	CONNECTOR PCB SIDE	NR2405	110P4220M6	R,NETWORK 4D02WGJ0220TCE
CP103	069S270629	CONNECTOR PCB SIDE	NR2406	110P4560M5	R,NETWORK 4D02WGJ0560TCE
CP301	069S130419	CONNECTOR PCB SIDE	NR2407	110P4560M5	R,NETWORK 4D02WGJ0560TCE
CP303	069S120419	CONNECTOR PCB SIDE	NR2408	110P4560M5	R,NETWORK 4D02WGJ0560TCE
CP504	069D01001A	CONNECTOR PCB SIDE	NR2409	110P4560M5	R,NETWORK 4D02WGJ0560TCE
△ CP505	069D01001A	CONNECTOR PCB SIDE	NR2410	110P4560M5	R,NETWORK 4D02WGJ0560TCE
CP506	069S2E0629	CONNECTOR PCB SIDE	NR2411	110P4560M5	R,NETWORK 4D02WGJ0560TCE
CP507	069S170019	CONNECTOR PCB SIDE	NR2412	110P4560M5	R,NETWORK 4D02WGJ0560TCE
CP508	069S270629	CONNECTOR PCB SIDE	NR2413	110P4560M5	R,NETWORK 4D02WGJ0560TCE
CP510	069S120019	CONNECTOR PCB SIDE	NR3601	110P4000M4	R,NETWORK 4D03WGJ0000T5E
CP511	069S1C0019	CONNECTOR PCB SIDE	NR3602	110P4000M4	R,NETWORK 4D03WGJ0000T5E
CP512	069S140019	CONNECTOR PCB SIDE	NR3603	110P4000M4	R,NETWORK 4D03WGJ0000T5E
CP513	069D01001A	CONNECTOR PCB SIDE	NR3604	110P4000M4	R,NETWORK 4D03WGJ0000T5E
CP514	069W01001A	CONNECTOR PCB SIDE	NR3605	110P4000M4	R,NETWORK 4D03WGJ0000T5E

ELECTRICAL REPLACEMENT PARTS LIST

REF. NO.	PART NO.	DESCRIPTION	
MISCELLANEOUS			
NR3606	110P4000M4	R,NETWORK	4D03WGJ0000T5E
NR7201	110P4470M4	R,NETWORK	4D03WGJ0470T5E
NR7202	110P4470M4	R,NETWORK	4D03WGJ0470T5E
OS2200	077A033001	REMOTE RECEIVER	ROM-V338TAO
△ RY501	0560V50118	RELAY	ALKS329
SH501	126R000036	TERMINAL PIN	TP00385-21
SH502	126R000036	TERMINAL PIN	TP00385-21
SH503	126R000036	TERMINAL PIN	TP00385-21
SH504	126R000036	TERMINAL PIN	TP00385-21
△ SP301	0701016002	SPEAKER	EAS12D175B
△ SP302	0701016002	SPEAKER	EAS12D175B
SH4201	126R000038	TERMINAL PIN	TP00370-21
SH4202	126R000038	TERMINAL PIN	TP00370-21
SH4203	126R000038	TERMINAL PIN	TP00370-21
SH4204	126R000038	TERMINAL PIN	TP00370-21
SH4205	126R000038	TERMINAL PIN	TP00370-21
SH4301	126R000038	TERMINAL PIN	TP00370-21
SH4302	126R000038	TERMINAL PIN	TP00370-21
△ TH501	DSRFSP3R0L	THERMISTOR	NTPAN3R0LDKBO
TM101	07660MP010	TRANSMITTER	SBNS02009A
TR301	02AHB9A972	CORE,FERRITE	W5T29X7.5X19
TR303	02AHB9A972	CORE,FERRITE	W5T29X7.5X19
TR304	02AHB9A972	CORE,FERRITE	W5T29X7.5X19
TR305	02AHB9A972	CORE,FERRITE	W5T29X7.5X19
TR504	02AHB9A972	CORE,FERRITE	W5T29X7.5X19
TR507	02AHB9A972	CORE,FERRITE	W5T29X7.5X19
TR2201	02AHB9A972	CORE,FERRITE	W5T29X7.5X19
△ TU5801	0164500006	DIGITAL TUNER	TUMUDTR-V110V
△ V2301	09E4132003	LCD	LK315T3LZ4C
X101	100WT01611	CRYSTAL	HC-49/U-S
X801	100YT05401	CRYSTAL	FCX-03
X901	100CT01804	CRYSTAL	HC-49/U-S
X2401	100DT05501	CRYSTAL	SMD-49
X2402	100DT02503	CRYSTAL	SMD-49
X3601	100CT01101	CRYSTAL	HC-49/U-S
X3602	100DT02801	CRYSTAL	SMD-49

RESISTOR

RC..... CARBON RESISTOR

CAPACITORS

CC..... CERAMIC CAPACITOR
 CE..... ALUMI ELECTROLYTIC CAPACITOR
 CP..... POLYESTER CAPACITOR
 CPP..... POLYPROPYLENE CAPACITOR
 CPL..... PLASTIC CAPACITOR
 CMP..... METAL POLYESTER CAPACITOR
 CMPL..... METAL PLASTIC CAPACITOR
 CMPP..... METAL POLYPROPYLENE CAPACITOR

SPEC.NO.	M3Y1-01E
O/R NO.	W623019