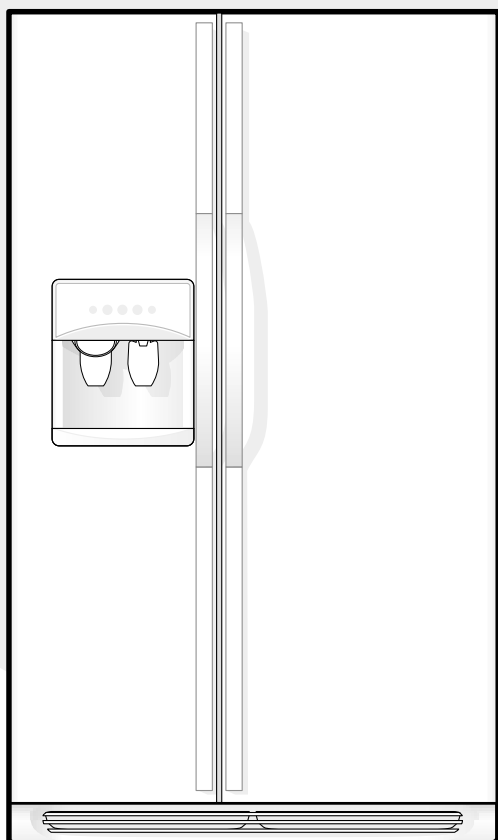


Frigidaire

FACTORY PARTS CATALOG



PRODUCT NO.	BASE MODEL NO.	SERIES	COLOR	VOLTS
FRS23KF7AB3	FRS23KF7A	R134a	black	115
FRS23KF7AB4	FRS23KF7A	R134a	black	115
FRS23KF7AQ3	FRS23KF7A	R134a	bisque	115
FRS23KF7AQ4	FRS23KF7A	R134a	bisque	115
FRS23KF7AW3	FRS23KF7A	R134a	white	115
FRS23KF7AW4	FRS23KF7A	R134a	white	115

MARKET

North America

WIRING DIAGRAM - 240443001
OWNER'S GUIDE - 240389302
SERVICE DATA SHEET - 240389604

Electrolux

ELECTROLUX HOME PRODUCTS, INC
P.O. BOX 212378, Augusta, GA 30917

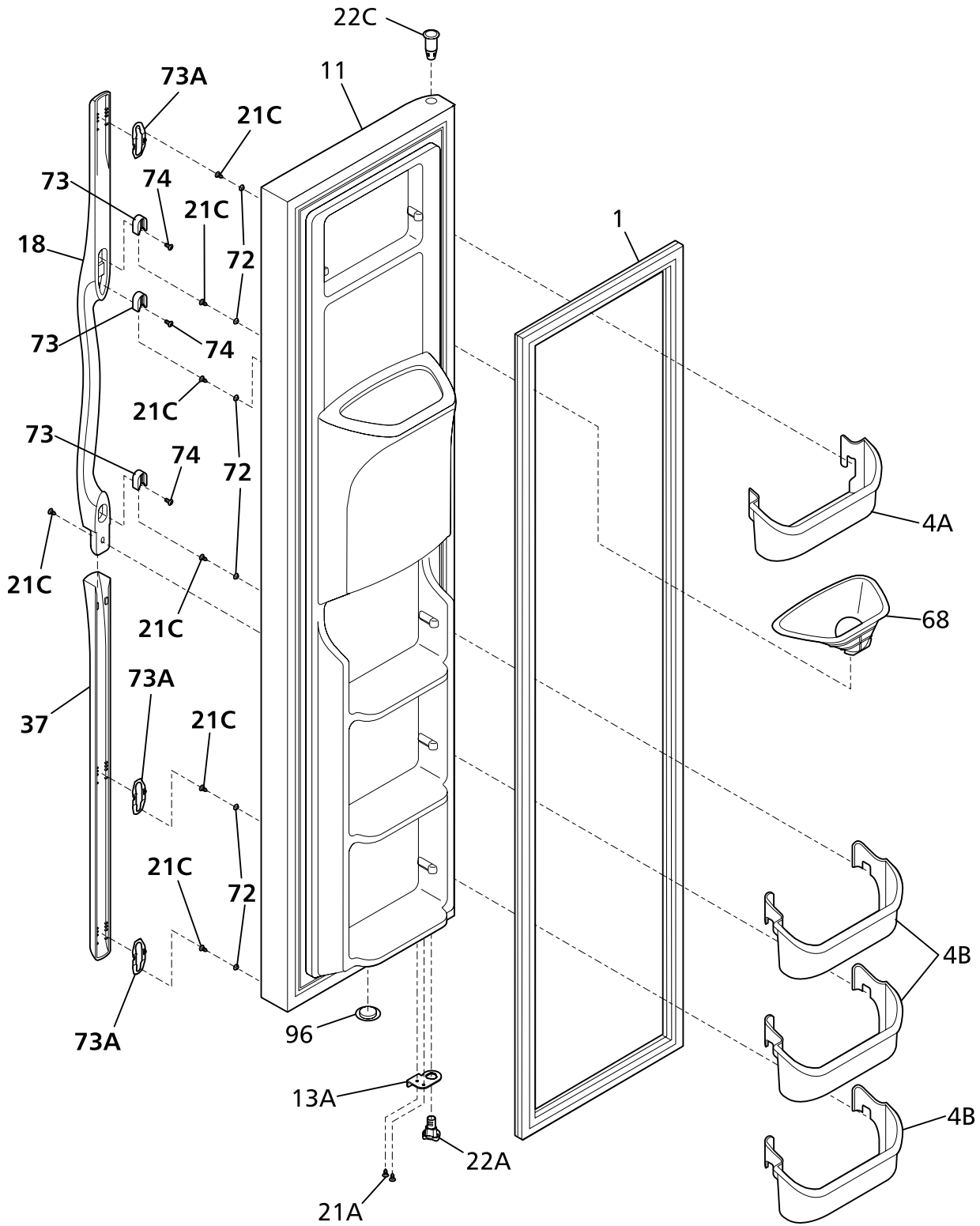
Publication No.
5995366365
020220
-EN/SERVICE/KHB
357

**SIDE BY SIDE
REFRIGERATOR**

**Model No.
FRS23KF7A**

©2002 Electrolux Home Products, Inc.
All rights reserved

FREEZER DOOR

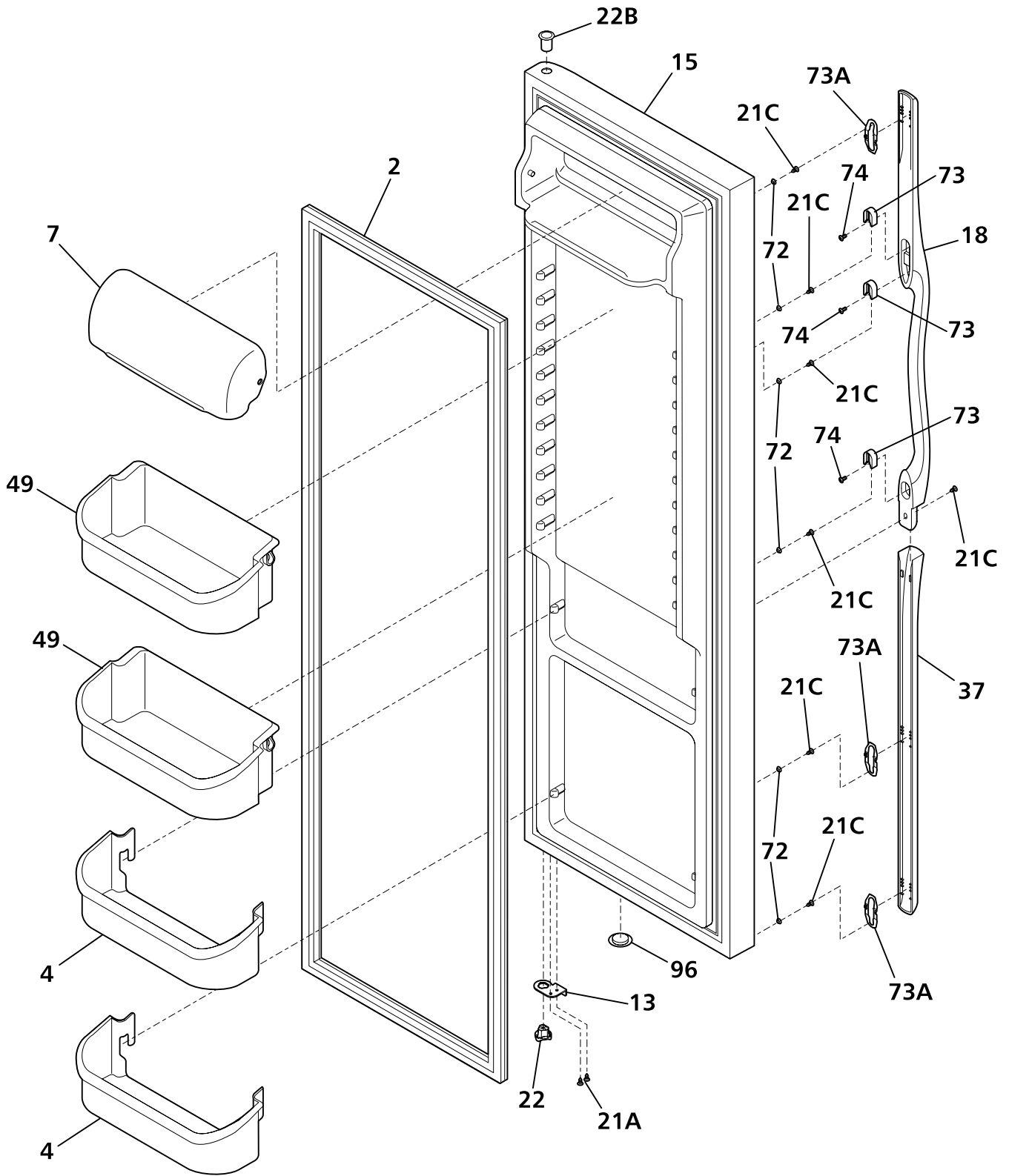


FREEZER DOOR

A = FRS23KF7A (FRS23KF7AB3)
B = FRS23KF7A (FRS23KF7AB4)
C = FRS23KF7A (FRS23KF7AQ3)
D = FRS23KF7A (FRS23KF7AQ4)
E = FRS23KF7A (FRS23KF7AW3)
F = FRS23KF7A (FRS23KF7AW4)

POS. NO	PART NO		DESCRIPTION
1 #	240390608	A B - - - -	Gasket-frzr door,black ,magnetic
1	240390604	- - C D E F	Gasket-door,white
4A	240367301	A B C D E F	Bin-door,frzr-upper
4B	240359001	A B C D E F	Bin-door
11	240451828	A B - - - -	Door-frzr,black ,complete assy
11	240451826	- - C D - -	Door-frz,bisque ,complete assy
11	240451820	- - - - E F	Door-frzr,white ,complete assy
13A	240456906	A B - - - -	Door Stop,black ,frzr
13A	240456904	- - C D - -	Door Stop,bisque ,frzr
13A	240456902	- - - - E F	Door Stop,white ,frzr
18	240359108	A B - - - -	Handle-door,black
18	240359109	- - C D - -	Handle-door,bisque
18	240359106	- - - - E F	Handle-door
21A	5308016566	A B C D E F	Screw, hex washer head, 8-15A x 0.625, low profile
21C	218781100	A B C D E F	Screw,pan head ,8-18 x 0.625
22A	240328202	A B C D E F	Bearing-hinge,closer
22C	240328404	A B - - - -	Bearing-hinge,black ,upper
22C	240328402	- - C D E F	Bearing-hinge,upper
37	240359203	A B - - - -	Trim-handle,30.13" ,black ,lower
37	240359204	- - C D - -	Trim-handle,30.13" ,bisque ,lower
37	240359201	- - - - E F	Trim-handle,30.13" ,white ,lower
68	240465801	A B C D E F	Chute-ice
72	240421701	A B C D E F	Button-handle mtg,dovetail
73	218396700	A B C D E F	Block-handle mtg,dovetail
73A	240339101	A B C D E F	Clip-trim
74	215503200	A B C D E F	Screw,cr pan hd ,10-16 x 0.500
96	240345506	A B - - - -	Plug,door foam hole ,black
96	240345505	- - C D E F	Plug,door foam hole ,white
*	240323201	A B C D E F	Wiring Harness
*	240352101	A B C D E F	Connector-water,straight
*	5303918256	A B C D E F	Dispenser heater kit

REFRIGERATOR DOOR



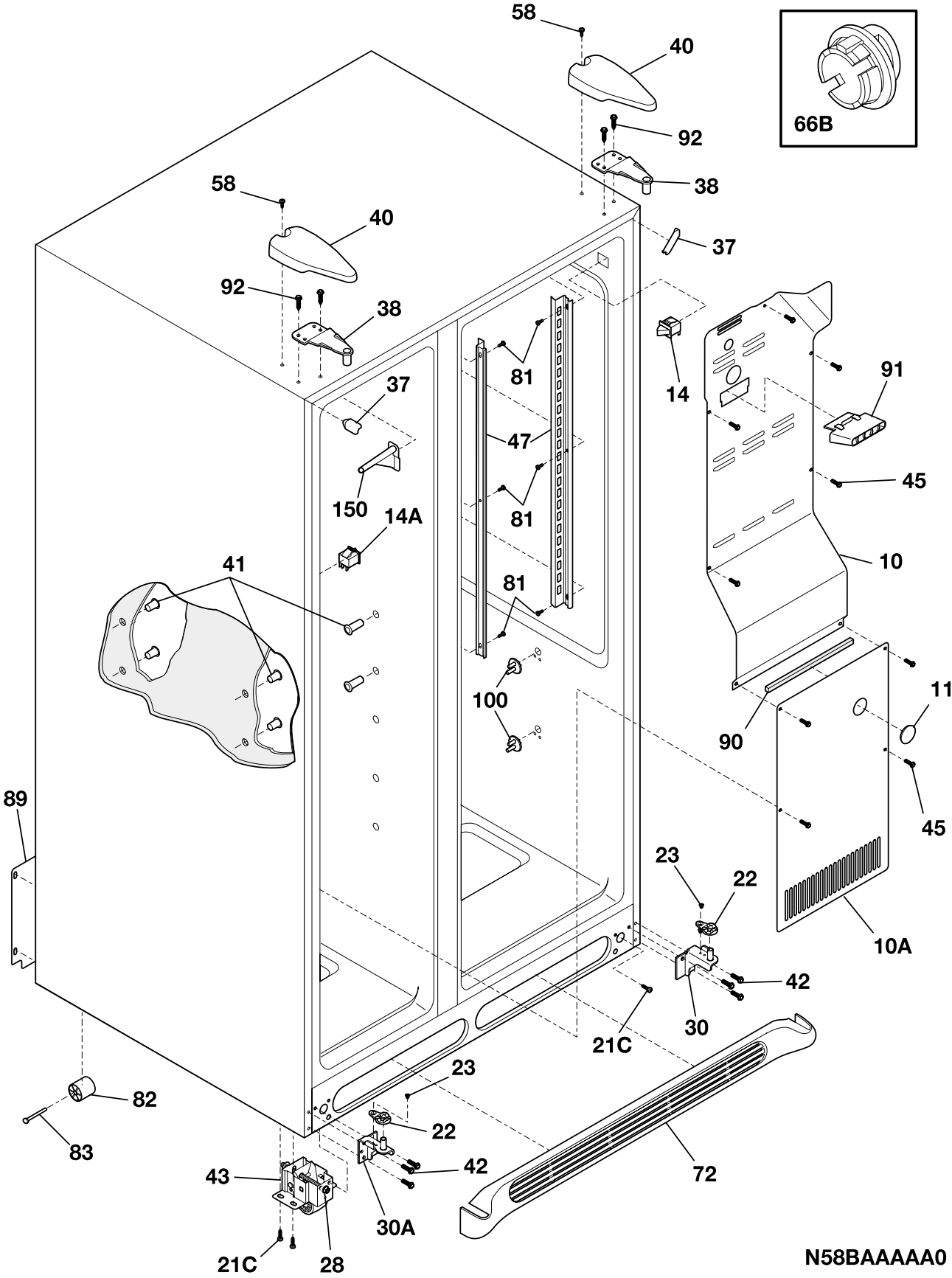
N58RCCBBB0

REFRIGERATOR DOOR

A = FRS23KF7A (FRS23KF7AB3)
B = FRS23KF7A (FRS23KF7AB4)
C = FRS23KF7A (FRS23KF7AQ3)
D = FRS23KF7A (FRS23KF7AQ4)
E = FRS23KF7A (FRS23KF7AW3)
F = FRS23KF7A (FRS23KF7AW4)

POS. NO	PART NO		DESCRIPTION
2 #	240390607	A B - - - -	Gasket-refr door,black ,magnetic
2 #	240390603	- - C D E F	Gasket-refr door,white ,magnetic
4	240363701	A B C D E F	Bin-door,2-liter
7	240338303	A B C D E F	Door,dairy ,clear
13	240456905	A B - - - -	Door Stop,black ,ref
13	240456903	- - C D - -	Door Stop,bisque ,ref
13	240456901	- - - - E F	Door Stop,white ,ref
15	240451919	A B - - - -	Door-refr,black ,complete assy
15	240451917	- - C D - -	Door-refr,bisque ,complete assy
15	240451913	- - - - E F	Door-refr,white ,complete assy
18	240359103	A B - - - -	Handle-door,white
18	240359104	- - C D - -	Handle-door,bisque
18	240359101	- - - - E F	Handle-door
21A	5308016566	A B C D E F	Screw, hex washer head, 8-15A x 0.625, low profile
21C	218781100	A B C D E F	Screw,pan head ,8-18 x 0.625
22	240328201	A B C D E F	Bearing-hinge,closer
22B	240328403	A B - - - -	Bearing-hinge,upper
22B	240328401	- - C D E F	Bearing-hinge,upper
37	240359203	A B - - - -	Trim-handle,30.13" ,black ,lower
37	240359204	- - C D - -	Trim-handle,30.13" ,bisque ,lower
37	240359201	- - - - E F	Trim-handle,30.13" ,white ,lower
49	240324501	A B C D E F	Bin-door,gallon
72	240421701	A B C D E F	Button-handle mtg,dovetail
73	218396700	A B C D E F	Block-handle mtg,dovetail
73A	240339101	A B C D E F	Clip-trim
74	215503200	A B C D E F	Screw,cr pan hd ,10-16 x 0.500
96	240345506	A B - - - -	Plug,door foam hole ,black
96	240345505	- - C D E F	Plug,door foam hole ,white

CABINET



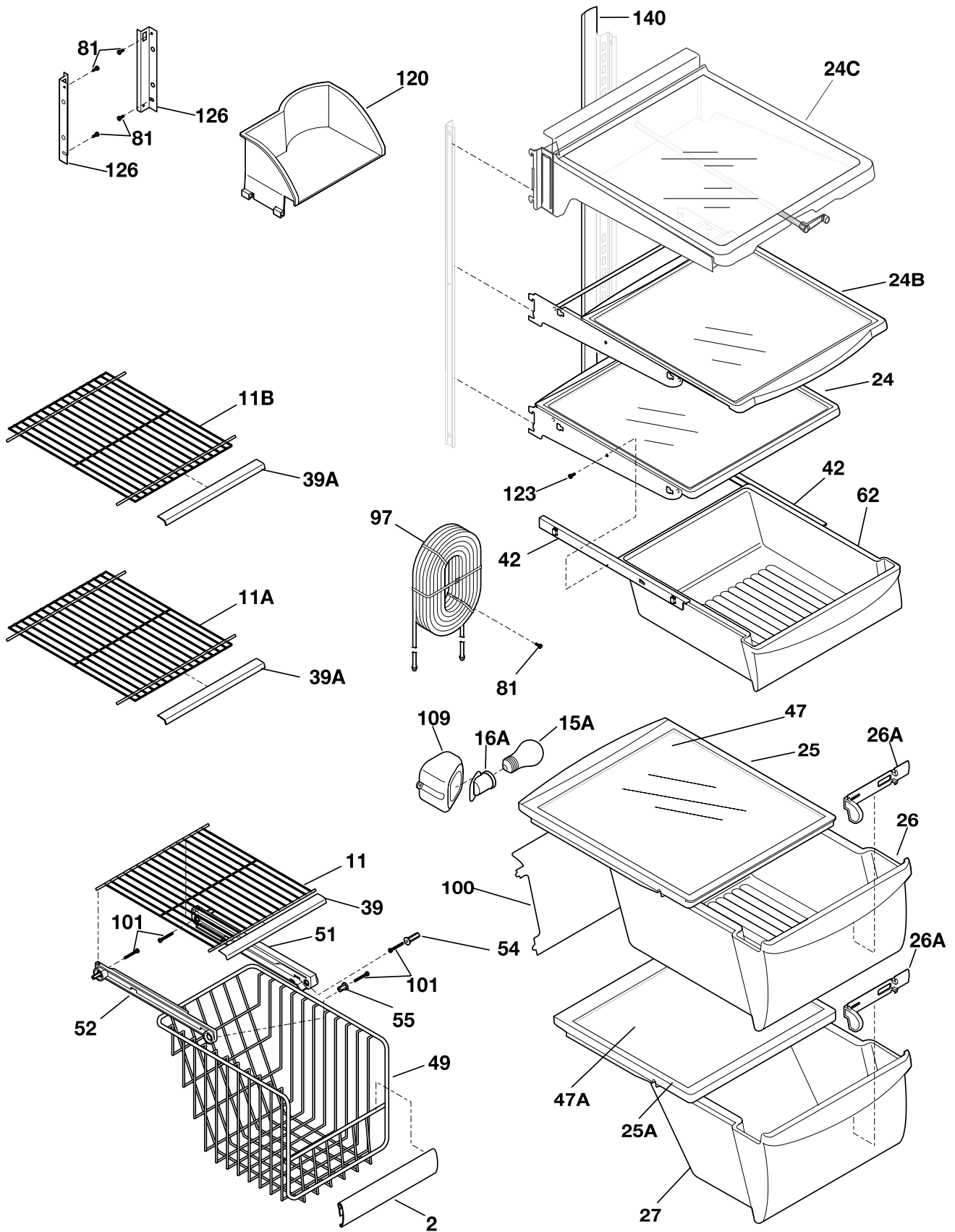
N58BAAAAA0

CABINET

A = FRS23KF7A (FRS23KF7AB3)
B = FRS23KF7A (FRS23KF7AB4)
C = FRS23KF7A (FRS23KF7AQ3)
D = FRS23KF7A (FRS23KF7AQ4)
E = FRS23KF7A (FRS23KF7AW3)
F = FRS23KF7A (FRS23KF7AW4)

POS. NO	PART NO		DESCRIPTION
10	240435901	A B C D E F	Cover-air duct
10A	240475901	A B C D E F	Cover-evap coil,lower
11	5303208309	A B C D E F	Plug-hole,factory test
14 #	240413601	A B C D E F	Switch,light/lamp ,rocker
14A#	215486600	A B C D E F	Switch-light/lamp
21C	218252200	A B C D E F	Screw,#8 truss hd , 10-32CA x 0.500
22	240457701	A B C D E F	Plate-door closer
23	240402701	A B C D E F	Screw-#10-32 x 1/4 flat hd
28	240335501	A B C D E F	Bolt-roller adj,hex wshr hd,1/4-20 x 4.020,(2),special
30	240419103	A B C D E F	Bracket-lower hinge, ref
30A	240419104	A B C D E F	Bracket-lower hinge
37	240337603	A B - - - -	Trim-cabinet corner,black
37	240337604	- - C D - -	Trim-cabinet corner,bisque ,(2)
37	240337601	- - - - E F	Trim-cabinet corner,white ,(2)
38	240327202	A B C D E F	Bracket-upper hinge
40	240327003	A B - - - -	Cover-upper hinge,black
40	240327002	- - C D - -	Cover-upper hinge,bisque
40	240327001	- - - - E F	Cover-hinge
41	240358701	A B C D E F	Grommet-shelf mtg,1.40" long
41*	240358801	A B C D E F	Grommet-shelf mtg,.875" long
42	240315301	A B C D E F	Screw-hinge mtg,hex head ,1/4-20 x 0.75
43	240335003	A B C D E F	Roller Assy,front ,(2)
45	241500301	A B C D E F	Screw,hex washer head ,8-18AB x 0.500
47	218659500	A B C D E F	Channel-shelf mtg,side ,(2)
58	218749600	A B C D E F	Screw,#10 pan hd ,8-18 x .5
66B	240374301	A B C D E F	Diffuser-air
66B*	240518802	A B C D E F	Pin-push, push-in, plastic
72	240324405	A B - - - -	Grille/Kickplate, black
72	240324403	- - C D - -	Grille/Kickplate, bisque
72	240324401	- - - - E F	Grille/Kickplate, white
81	5308016566	A B C D E F	Screw, hex washer head, 8-15A x 0.625, low profile
82	5304418225	A B C D E F	Roller, compressor base ,rear ,(2)
83	5303316859	A B C D E F	Rivet, flat head, 1/4 OD x 1-3/4, roller pin
89	240326103	A B C D E F	Cover,access ,system compt ,with label
90	218249807	A B C D E F	Seal-coil cover
91	240380101	A B C D E F	Duct-ice maker
92	5303001479	A B C D E F	Screw-hinge mtg,hex hd ,1/4-20 x 0.875
100	240423701	A B C D E F	Support,crisper cover ,front ,(4)
100*	240350802	A B C D E F	Support,crisper cover ,rear ,(4)
150	240368701	A B C D E F	Guide-control bulb
*	240396801	A B C D E F	Clamp,tube/wiring ,nylon ,black/natural
*	240479601	A B C D E F	Plug,button ,cab liner holes
*	5303305345	A B - - - -	Paint,touch-up ,black
*	5304414035	- - C D - -	Paint,touch-up ,bisque
*	5303305324	- - - - E F	Paint,touch-up ,white

SHELVES



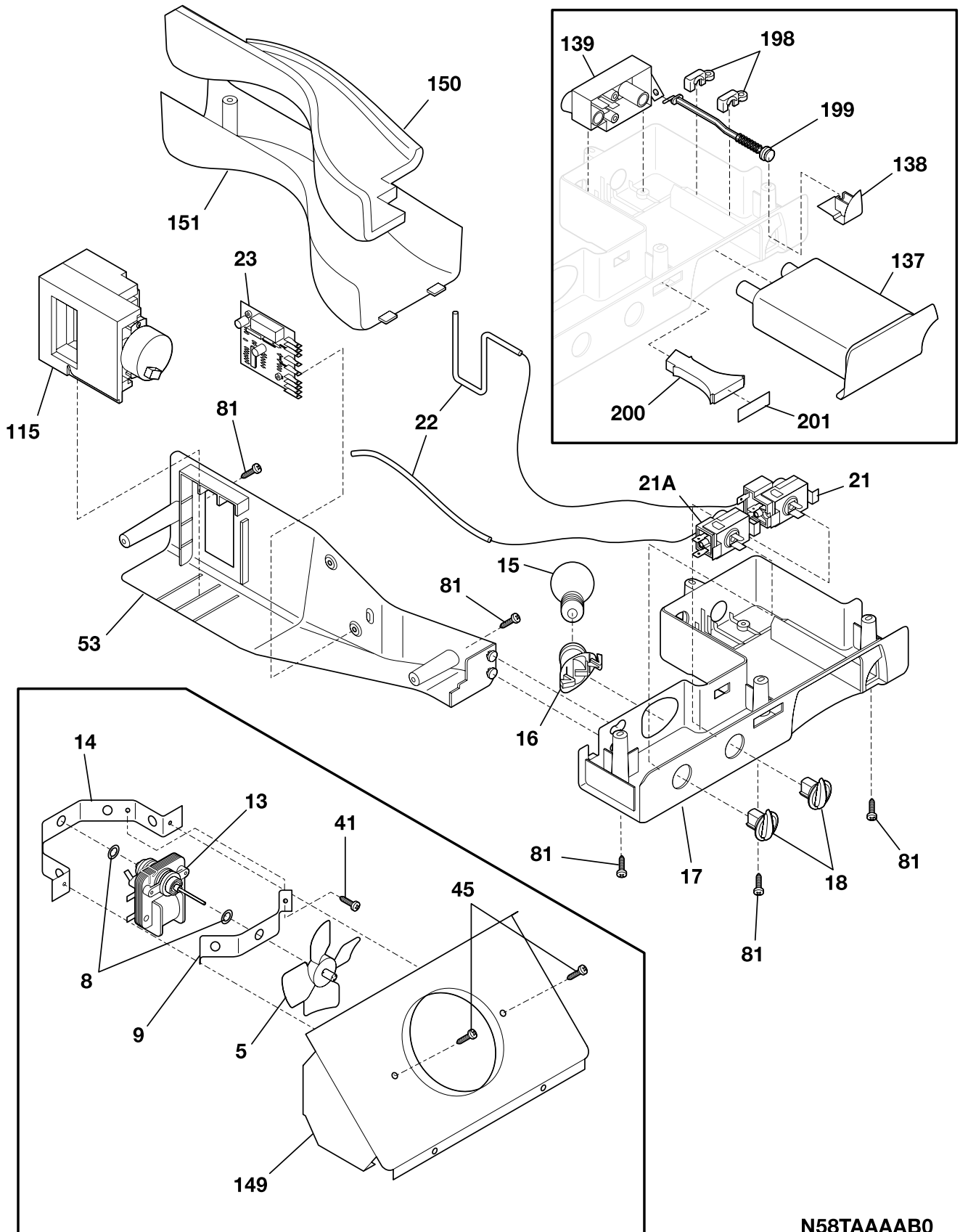
N58SBEAAB0

SHELVES

A = FRS23KF7A (FRS23KF7AB3)
B = FRS23KF7A (FRS23KF7AB4)
C = FRS23KF7A (FRS23KF7AQ3)
D = FRS23KF7A (FRS23KF7AQ4)
E = FRS23KF7A (FRS23KF7AW3)
F = FRS23KF7A (FRS23KF7AW4)

POS. NO	PART NO		DESCRIPTION
2	240434601	A B C D E F	Trim-basket
11	240338801	A B C D E F	Shelf-freezer,flip-up
11A	240338701	A B C D E F	Shelf-freezer,fixed wire
11B	240338703	A B C D E F	Shelf-freezer,fixed wire
15A	215812200	A - C - E -	Light Bulb/Lamp,25W
15A	5303001179	- B - D - F	Light Bulb/Lamp,40 W
16A	218906801	A B C D E F	Socket-light/lamp
24	240355204	A B C D E F	Shelf-"Spill-Safe", fixed, (3)
24B	240350103	A B C D E F	Shelf-"Spill-Safe", sliding, (3)
24C	240424603	A B C D E F	Shelf-"Spill-Safe", sliding, "Aspect", complete
25	240354501	A - C - E -	Cover-crisper pan,upper
25	240354502	- B - D - F	Cover-crisper pan,upper
25*	240362101	A B C D E F	Clip-slide,cover-crisper
25A	240354601	A - C - E -	Cover-crisper pan,lower
25A	240354602	- B - D - F	Cover-crisper pan,lower
26	240354705	A B C D E F	Pan-crisper,upper
26*	240349801	A B C D E F	Clip-slide,pan-crisper
26A	240351101	A B C D E F	Control-humidity
27	240354805	A B C D E F	Pan-crisper,lower
39	240430705	A B C D E F	Trim-shelf,front
39A	240430701	A B C D E F	Trim-shelf,front
42	240356501	A B C D E F	Hanger-meat pan,RH
42	240365401	A B C D E F	Hanger-meat pan,LH
47	240350613	A B C D E F	Insert-pan cover,glass
47A	240350614	A B C D E F	Insert-pan cover,glass
49	240338401	A B C D E F	Basket-sliding
51	240343002	A B C D E F	Hanger-basket,RH
52	240343102	A B C D E F	Hanger-basket,LH
54	240351901	A B C D E F	Plug-hanger,right hand
55	240352001	A B C D E F	Plug-hanger,left hand
62	240355506	A B C D E F	Pan-meat
81	5308016566	A B C D E F	Screw, hex washer head, 8-15A x 0.625, low profile
97	240453003	A B C D E F	Water Tank Assy, coiled tubing, front filter
100	240326301	A B C D E F	Cover-water tank
101	218493100	A B C D E F	Screw,hex washer head ,8-18AB x 1-3/4
109	240351301	A B C D E F	Base-crisper light socket
120	240342901	A B C D E F	Shelf-ice cream
123	215005100	A B C D E F	Screw-roller/hanger,8-10 x 0.438
126	218867401	A B C D E F	Channel,auger mtg ,LH
126	218867402	A B C D E F	Channel,auger mtg ,RH
140	240430501	A B C D E F	Channel,water tube cvr

CONTROLS



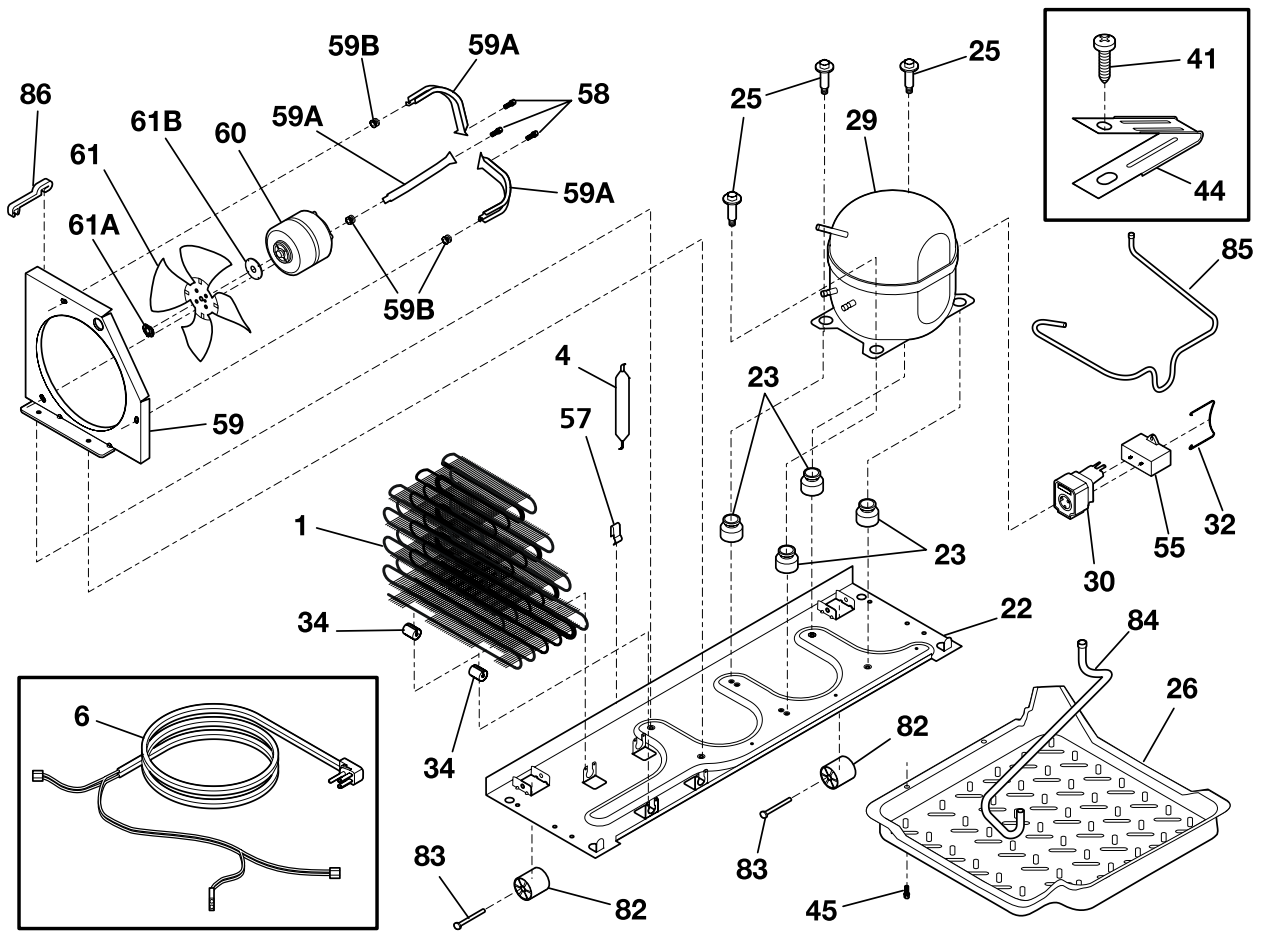
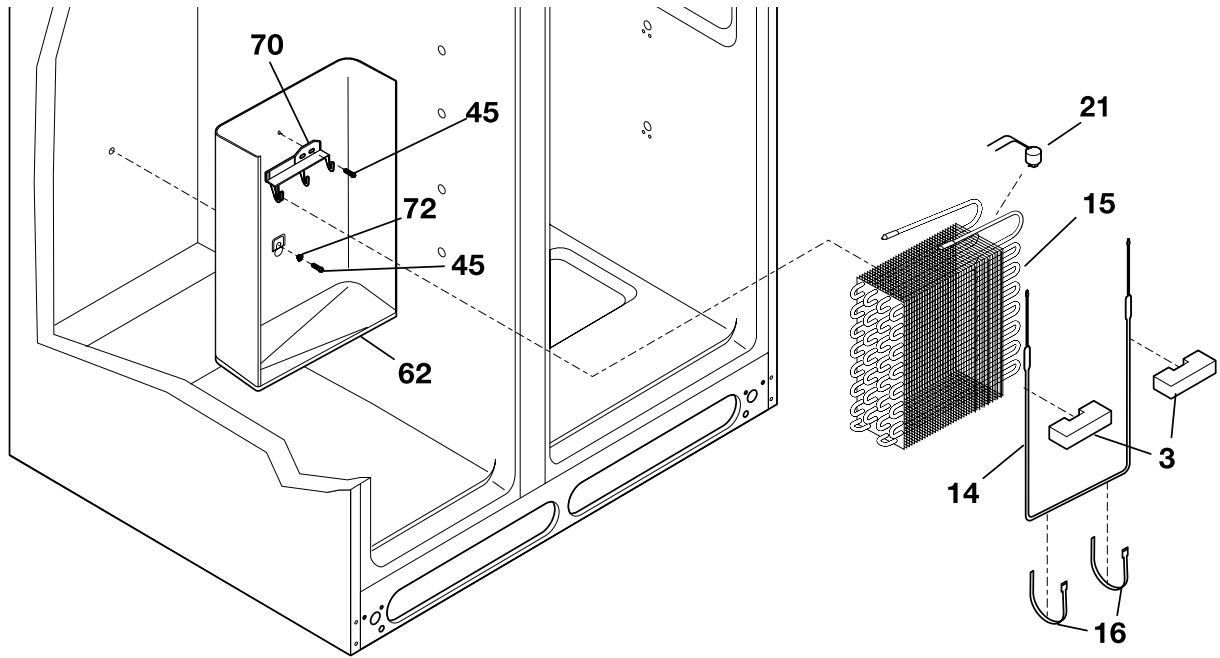
N58TAAAAB0

CONTROLS

A = FRS23KF7A (FRS23KF7AB3)
B = FRS23KF7A (FRS23KF7AB4)
C = FRS23KF7A (FRS23KF7AQ3)
D = FRS23KF7A (FRS23KF7AQ4)
E = FRS23KF7A (FRS23KF7AW3)
F = FRS23KF7A (FRS23KF7AW4)

POS. NO	PART NO		DESCRIPTION
5 #	5308000010	A B C D E F	Fan Blade,red ,evaporator fan
8	5300157666	A B C D E F	Bushing-motor mtg,(2)
9	5303292396	A B C D E F	Bracket-motor mtg,front
13 #	240315803	A B C D E F	Motor-evap fan
13*	215474201	A B C D E F	Washer,"slinger" ,nylon ,evap fan shaft
14	5303292397	A B C D E F	Bracket-motor mtg,rear
15	240436701	A B C D E F	Light Bulb/Lamp, A-15, 40 W, 120 V, miniature
16	218906801	A B C D E F	Socket-light/lamp
17	240374901	A B C D E F	Box-control,front
17*	240439901	A B C D E F	Wiring Harness,controls
18	240360801	A B C D E F	Knob-control
21 #	240375903	A B C D E F	Control-temperature
21A	5304421067	A B C D E F	Control-temperature,frzr section
22	218660702	A B C D E F	Tube-insulator
23	240375803	A B C D E F	Control-defrost,adaptive timer, PC board
23*	5303001259	A B C D E F	Screw-timer mtg,pan hd ,6-20 x 0.438, (2)
41	5308000039	A B C D E F	Screw, hex wshr hd,8-32CA x 0.500, serrated hd
45	5303001343	A B C D E F	Screw, hex washer head, 8-15A x 0.500
53	240369501	A B C D E F	Box-control
81	5308016566	A B C D E F	Screw, hex wshr hd, 8-15A x 0.625, low profile
115	240521101	A B C D E F	Damper Assy,w/seal
115*	5304421593	A B C D E F	Switch-micro, single pole, dble throw, damper assy
137	240396401	A B C D E F	Filter,water ,front ,cassette
137*	240396701	A B C D E F	Bypass,water filter ,Optional Part
138	240397301	A B C D E F	Button-filter release
139	240396001	A B C D E F	Base-water filter
139*	240526901	A B C D E F	O-ring,wtr filter base
149	240331601	A B C D E F	Shroud-fan orifice
150	240394203	A B C D E F	Insulation-water tube cover
151	240373805	A B C D E F	Cover-water tube
198	240397401	A B C D E F	Retainer
199	240397501	A B C D E F	Rod
199*	240398401	A B C D E F	Spring-filter release rod
200	240397601	A B C D E F	Light Pipe
201	240398502	A B C D E F	Label-control box
*	3205266	A B C D E F	Edge Protector,wiring harness

SYSTEM

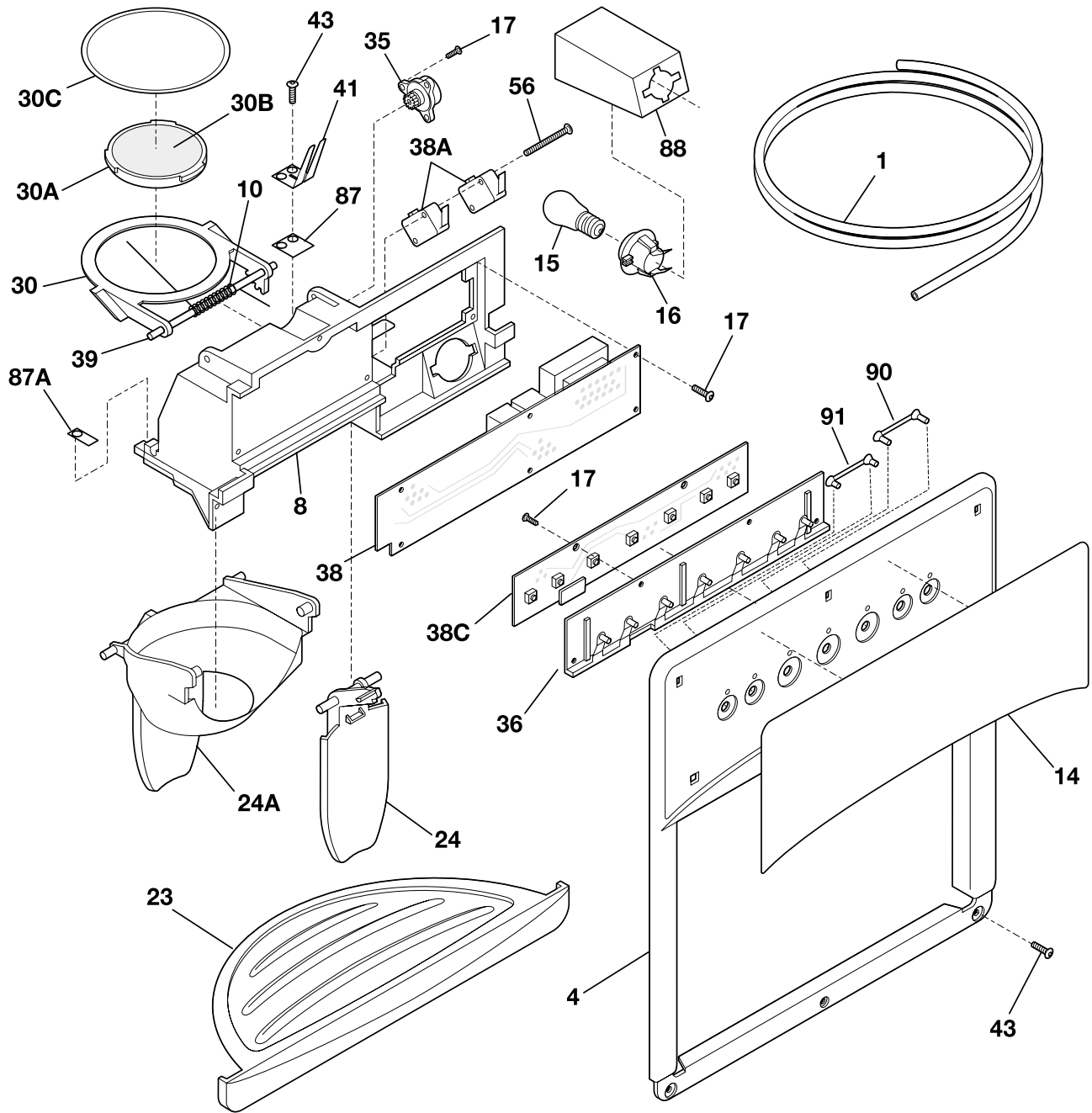


N58CAAAA3

SYSTEM

A = FRS23KF7A (FRS23KF7AB3)
B = FRS23KF7A (FRS23KF7AB4)
C = FRS23KF7A (FRS23KF7AQ3)
D = FRS23KF7A (FRS23KF7AQ4)
E = FRS23KF7A (FRS23KF7AW3)
F = FRS23KF7A (FRS23KF7AW4)

POS. NO	PART NO		DESCRIPTION
1	240333602	A B C D E F	Condenser
3	218679606	A B C D E F	Block-evap coil,styrofoam ,(2)
4 #	218944001	A B C D E F	Drier-filter,R134a System
6	240346402	A B C D E F	Harness-wiring,machine compt
6*	240315901	A B C D E F	Harness-wiring
6*	240439901	A B C D E F	Wiring Harness,controls
14 #	5303918253	A B C D E F	Defrost Heater Kit
15 #	5303918211	A - C - E -	Evaporator Kit
15 #	5303918271	- B - D - F	Evaporator Kit
16	5308000110	A B C D E F	Strap-evap/heater,aluminum ,(2)
21	5303918214	A B C D E F	Thermostat-defrost,kit
22	240330002	A B C D E F	Plate-compr mtg
23	218513300	A B C D E F	Grommet-compr mtg,(4)
25	240491501	A B C D E F	Screw-compressor mtg,1/4-28 x 1.16,shoulder,typ CF
26	240332602	A B C D E F	Pan-defrost drain
29 #	5303918251	A B C D E F	Compressor,w/electricals
30 #	218721119	A B C D E F	Starter-PTC
32	218973501	A B C D E F	Clamp,elec cont mtg ,compressor
34	240405201	A B C D E F	Grommet,rubber ,black ,cond tube/wire
41	5308000039	A B C D E F	Screw, hex wshr hd, 8-32CA x 0.500, serrated head
41*	218897001	A B C D E F	Screw,hex washer head ,8-32 x 1/4
44	5303001199	A B C D E F	Clamp-wiring harness, strain relief, galv steel
45	5308016566	A B C D E F	Screw,hex washer head ,8-15A x 0.625, low profile
55 #	216787800	A B C D E F	Capacitor-run
57	240403601	A B C D E F	Clip-wiring harness
58	215004600	A B C D E F	Screw,hx serr wshr hd, 8-36 x 7/16, cond fan mtr,(2)
59	240315501	A B C D E F	Shroud-cond fan
59*	240346701	A B C D E F	Tape-foam seal,shroud
59*	240359401	A B C D E F	Screw-fan shroud,(2)
59A	240346501	A B C D E F	Bracket-support,cond mtr ,(3)
59B	240346601	A B C D E F	Grommet-bracket,(3)
60 #	240334004	A B C D E F	Motor-condenser fan
61 #	240315401	A B C D E F	Fan Blade,galv steel ,condenser fan
61A	215004700	A B C D E F	Nut,speed
61B	215004800	A B C D E F	Grommet-silencer
62	240429401	A B C D E F	Trough-drain
70	218990801	A B C D E F	Bracket-evap/cvr mtg
72	218397000	A B C D E F	Button-handle mtg,dovetail
82	5304418225	A B C D E F	Roller,compressor base, rear, (2)
83	5303316859	A B C D E F	Rivet, flat head, 1/4 OD x 1-3/4, roller pin
84	5304421068	A B C D E F	Tube-drain,lower
85	240346201	A B C D E F	Tube-connector,suction
86	240409302	A B C D E F	Spacer-cond tube,black
* #	5303918213	A B C D E F	Heat Exchanger Kit,suction line
* #	5303918222	A B C D E F	Hot Tube Repair Kit,Service



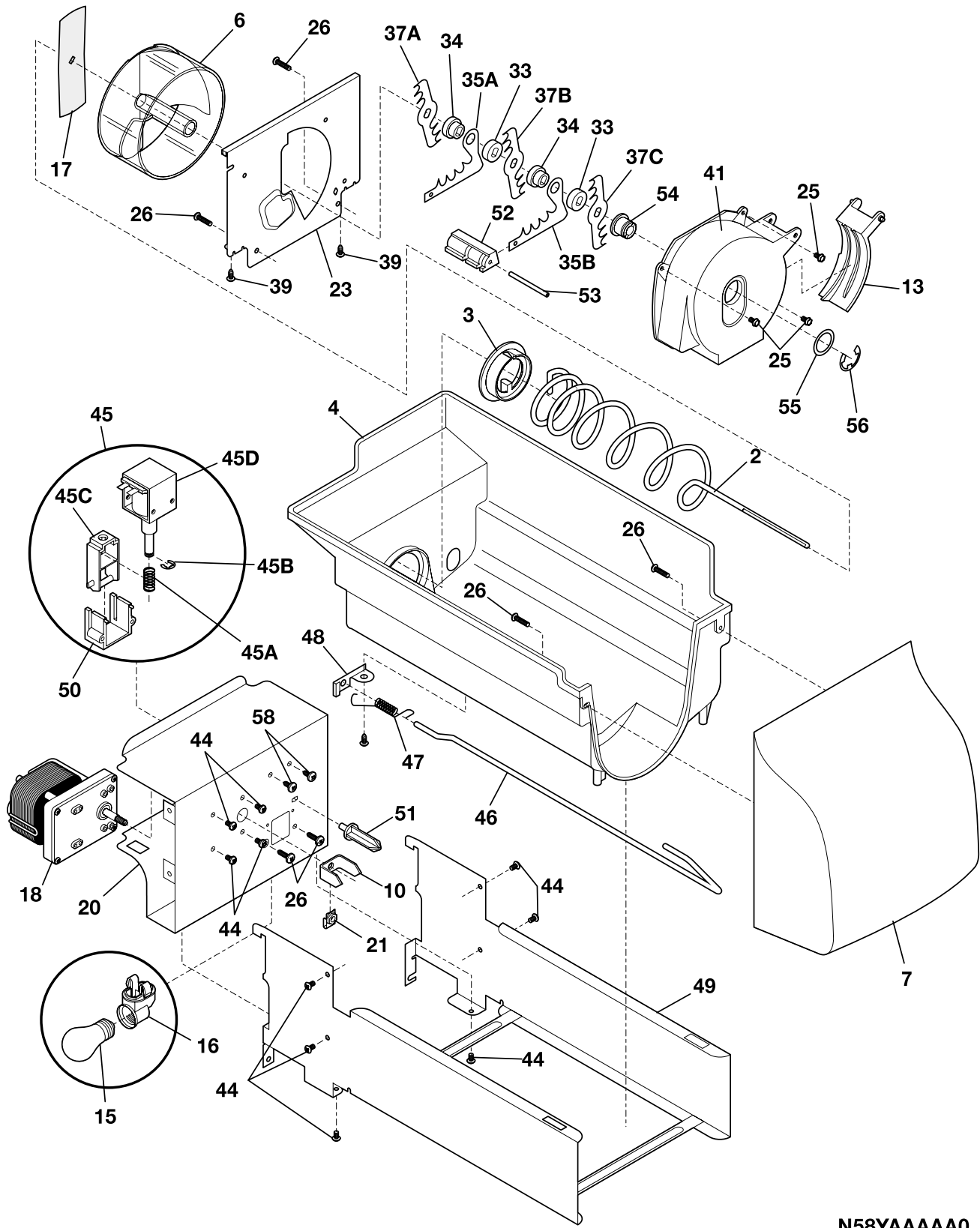
N58XBAAAB0

DISPENSER

A = FRS23KF7A (FRS23KF7AB3)
B = FRS23KF7A (FRS23KF7AB4)
C = FRS23KF7A (FRS23KF7AQ3)
D = FRS23KF7A (FRS23KF7AQ4)
E = FRS23KF7A (FRS23KF7AW3)
F = FRS23KF7A (FRS23KF7AW4)

POS. NO	PART NO		DESCRIPTION
1	218976405	A - C - E -	Tube-water inlet
1	218976410	- B - D - F	Tube-water inlet
1*	218976901	A B C D E F	Tube-water inlet, inlet valve to ice maker
1*	218976903	A B C D E F	Tube-water inlet, inlet valve to filter
1*	218976907	A B C D E F	Tube-water inlet, valve to door
4	5304422012	A B - - - -	Cover-module,black
4	5304421848	- - C D - -	Cover-module,bisque
4	5304421822	- - - - E F	Cover-module,white
8	5304422013	A B - - - -	Module-dispenser
8	5304421849	- - C D - -	Module-dispenser
8	5304422030	- - - - E F	Module-dispenser
10	5304421626	A B C D E F	Spring-torsion
14	240323924	A B - - - -	Label-module cover,black
14	240323923	- - C D - -	Label-module cover,bisque
14	240323922	- - - - E F	Label-module cover,white
15	5304421616	A B C D E F	Light Bulb/Lamp
16	215284900	A B C D E F	Socket-light/lamp
17	5304421619	A B C D E F	Screw
23	240323603	A B - - - -	Drip Tray,black
23	240323602	- - C D - -	Drip Tray,bisque
23	240323601	- - - - E F	Drip Tray,white
24	5304422026	A B - - - -	Actuator-water,black
24	5304422027	- - C D - -	Actuator-water,bisque
24	5304421825	- - - - E F	Actuator-water,white
24A	5304422025	A B - - - -	Actuator-ice,black
24A	5304422028	- - C D - -	Actuator-ice,bisque
24A	5304421826	- - - - E F	Actuator-ice,white
30	5304421628	A B C D E F	Door Assy-ice chute
30A	5304421624	A B C D E F	Door center
30B	5304421625	A B C D E F	Insulation-door
30C	5304421629	A B C D E F	Door seal
35	5304421620	A B C D E F	Damper-rotary
36	5304421824	A B C D E F	Carrier
38	5304421827	A B C D E F	Power Board
38A#	5304421617	A B C D E F	Switch-micro,single pole ,double throw
38C	5304421640	A - C - E -	Board-control
38C	5304426005	- B - D - F	Board-control
39	5304421627	A B C D E F	Pin-hinge
41	5304421829	A B C D E F	Spring-actuator
43	215296300	A B C D E F	Screw,plask h/l ,#6 x 3/8
56	5304421830	A B C D E F	Screw-micro switch,pan head
87	5304421622	A B C D E F	Bearing Plate
87A	5304421621	A B C D E F	Bearing Plate
88	5304421615	A B C D E F	Shield-light
90	5304421831	A B C D E F	Light Pipe,reflector
91	5304421850	A B C D E F	Light Pipe,reflector ,short
*	5303918256	A B C D E F	Dispenser heater kit

ICE CONTAINER



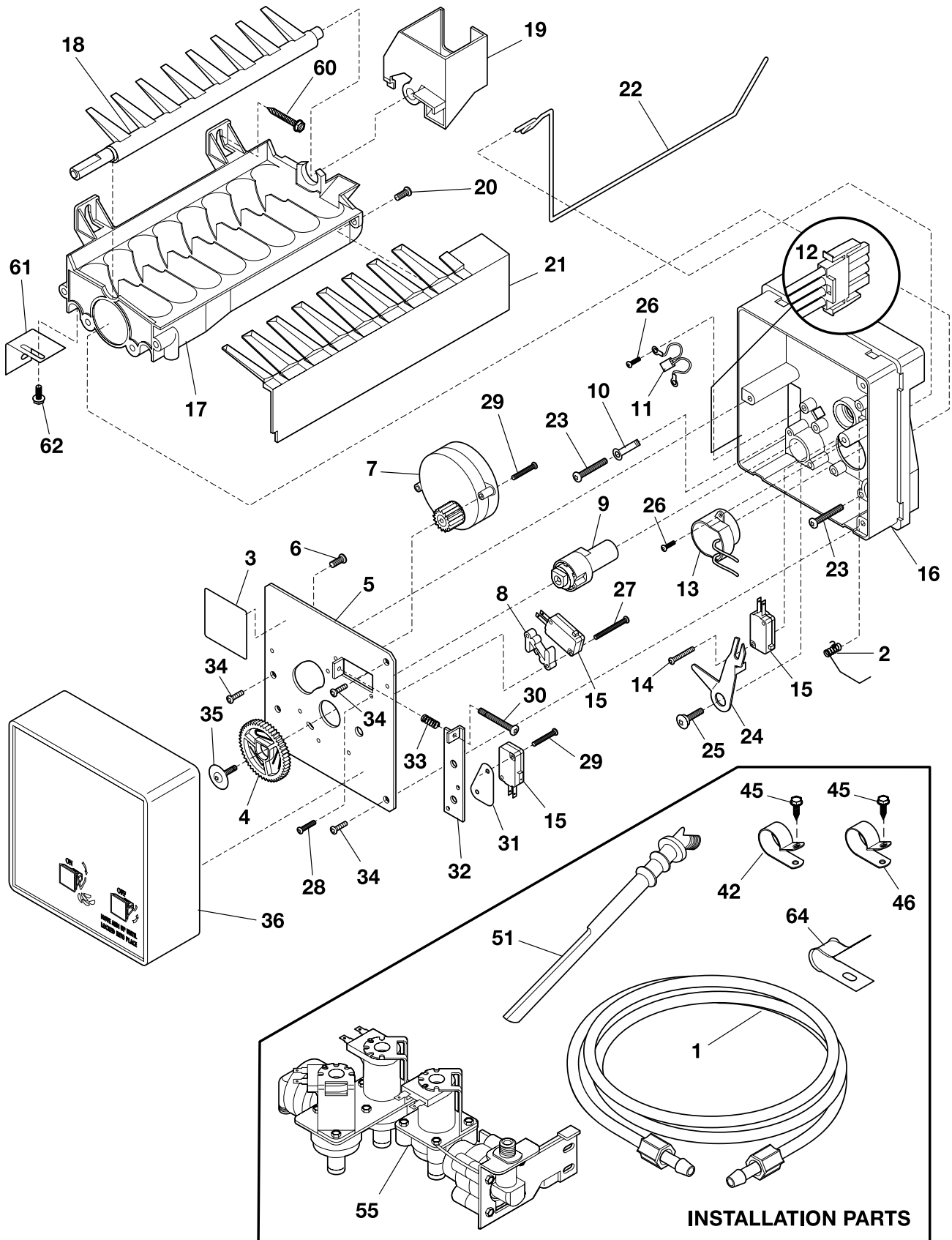
N58YAAAAA0

ICE CONTAINER

A = FRS23KF7A (FRS23KF7AB3)
 B = FRS23KF7A (FRS23KF7AB4)
 C = FRS23KF7A (FRS23KF7AQ3)
 D = FRS23KF7A (FRS23KF7AQ4)
 E = FRS23KF7A (FRS23KF7AW3)
 F = FRS23KF7A (FRS23KF7AW4)

POS. NO	PART NO		DESCRIPTION
2	5304404344	A B C D E F	Auger-ice
3	5304404343	A B C D E F	Cam-drive
4	218815300	A B C D E F	Container-ice,bucket only
6	5304404346	A B C D E F	Drum-ice disp
7	5304422805	A B C D E F	Front-ice container
10	5304404337	A B C D E F	Bar-drive
13	5304404359	A B C D E F	Gate
15	5303001179	A B C D E F	Light Bulb/Lamp,40 W
16	5303289050	A B C D E F	Socket-light/lamp
17	5304404345	A B C D E F	Drive Blade
18 #	240326901	A B C D E F	Motor-auger
18*	5304404335	A B C D E F	Wiring Harness,auger motor
20	5304404332	A B C D E F	Cover-motor
21	215285100	A B C D E F	Nut-drive
23	5304404347	A B C D E F	Plate-front
25	5304404362	A B C D E F	Screw,hex washer head ,8-32T x 0.375
26	215503200	A B C D E F	Screw,cr pan hd ,10-16 x 0.500
33	5304404351	A B C D E F	Spacer
34	5304404349	A B C D E F	Spacer
35A	5304404353	A B C D E F	Fixed Blade,round
35B	5304404352	A B C D E F	Fixed Blade,square
37A	5304404348	A B C D E F	Blade,crusher #1
37B	5304404350	A B C D E F	Blade,crusher #2
37C	5304404356	A B C D E F	Blade,crusher #3
39	5304404365	A B C D E F	Screw
41	5304404358	A B C D E F	Housing-crusher
44	218359200	A B C D E F	Screw,pan head ,8-32 x 0.250
45 #	5304404333	A B C D E F	Solenoid Assy
45A	5304406816	A B C D E F	Spring-solenoid
45B	5304406817	A B C D E F	E-Ring-solenoid
45C	5304406818	A B C D E F	Actuator-solenoid
45D	5304406819	A B C D E F	Solenoid
46	5304404341	A B C D E F	Control Rod
47	5304404342	A B C D E F	Spring-control rod
48	5304404340	A B C D E F	Bracket-control rod
48*	5304404364	A B C D E F	Screw-bracket
49	5304404329	A B C D E F	Rail Assy
50	5304404334	A B C D E F	Guide-solenoid
51	5304404336	A B C D E F	Rotation Stop
52	5304404354	A B C D E F	Spacer-fixed blades
53	5304404355	A B C D E F	Pin-spiral,fixed blades
54	5304404357	A B C D E F	Nut-auger
55	5304404360	A B C D E F	Washer
56	5304404361	A B C D E F	E-ring
58	5304404331	A B C D E F	Screw-solenoid
*	240323802	A B C D E F	Ice Container Assy,w/moving parts

ICE MAKER

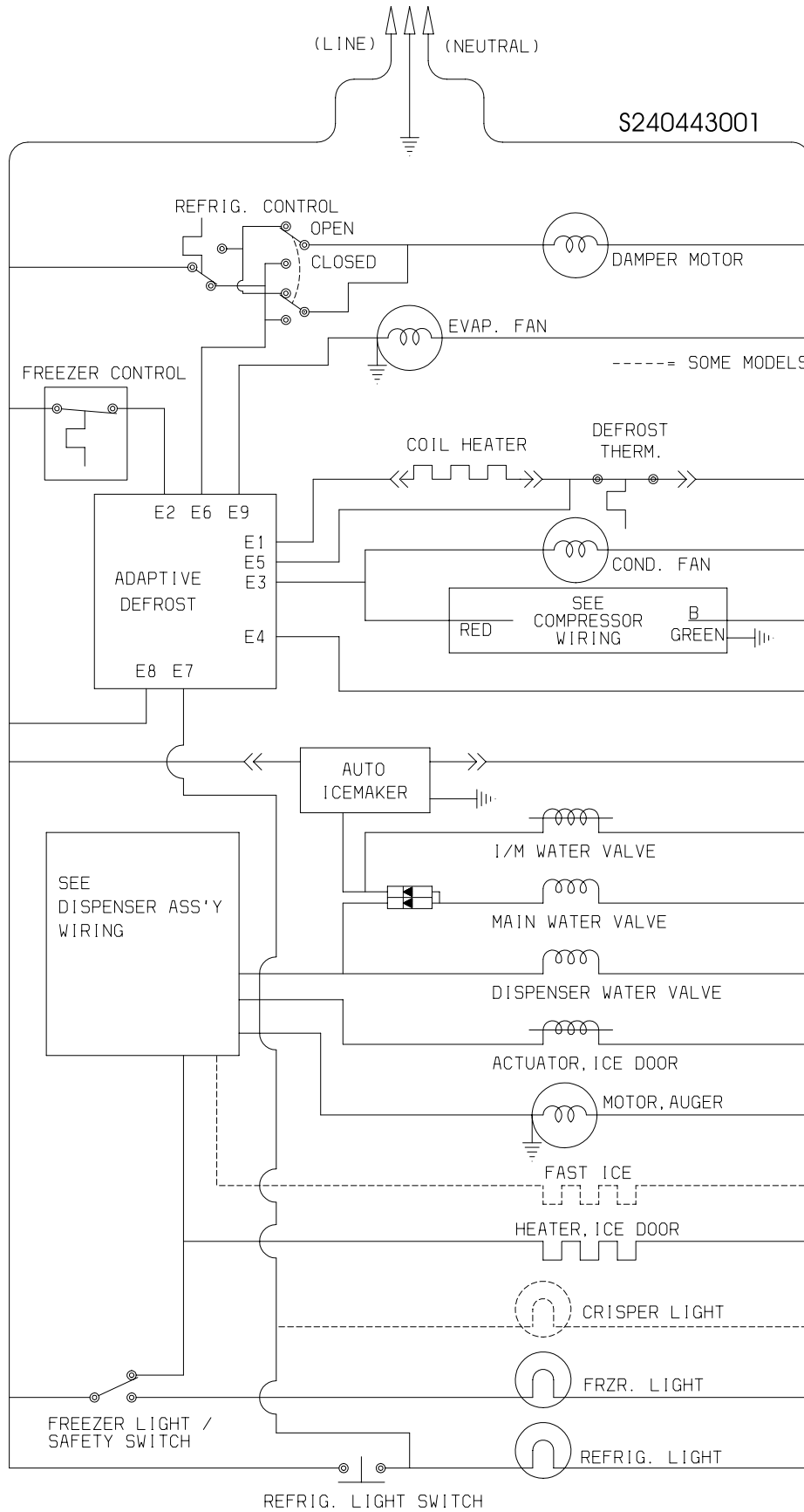


ICE MAKER

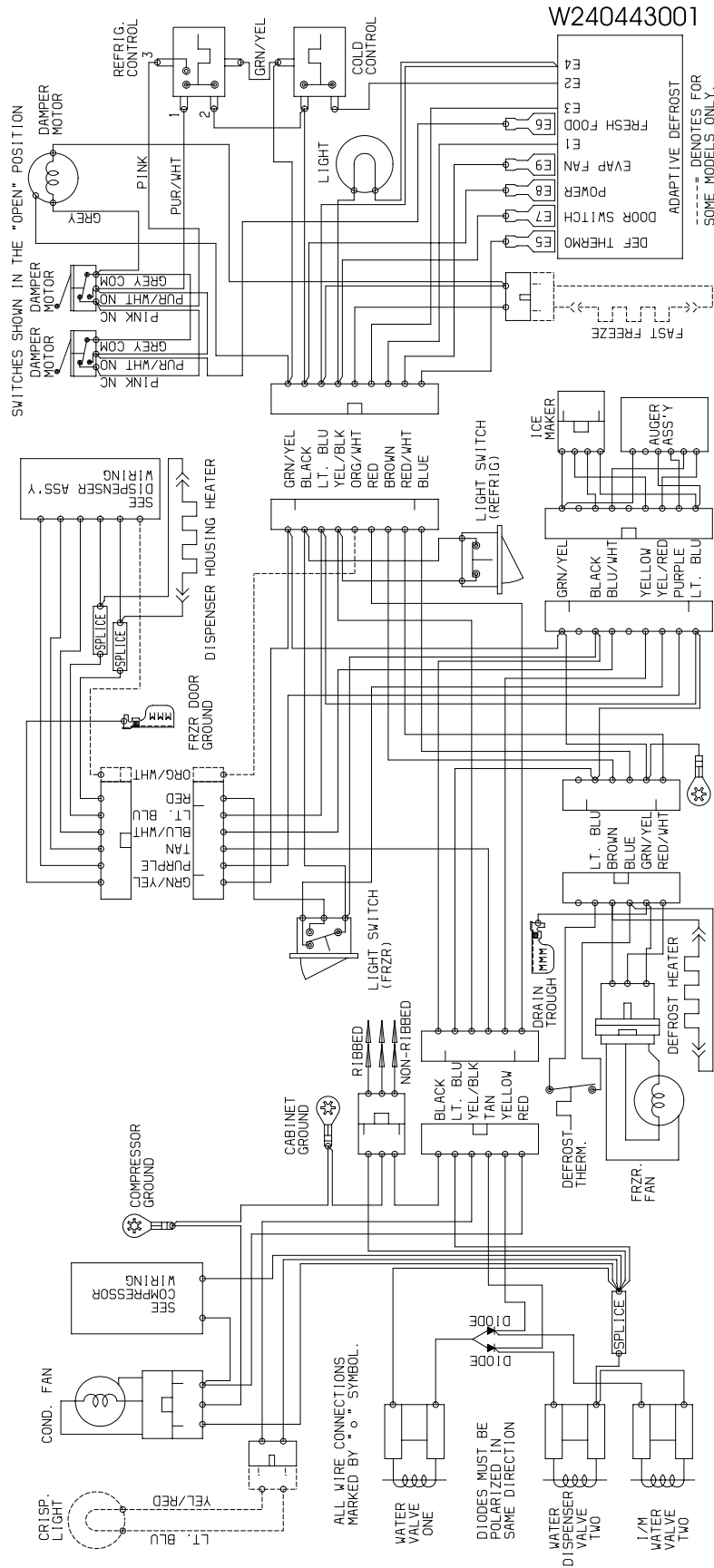
A = FRS23KF7A (FRS23KF7AB3)
B = FRS23KF7A (FRS23KF7AB4)
C = FRS23KF7A (FRS23KF7AQ3)
D = FRS23KF7A (FRS23KF7AQ4)
E = FRS23KF7A (FRS23KF7AW3)
F = FRS23KF7A (FRS23KF7AW4)

POS. NO	PART NO		DESCRIPTION
1	218976405	A - C - E -	Tube-water inlet
1	218976410	- B - D - F	Tube-water inlet
1*	218976901	A B C D E F	Tube-water inlet, inlet valve to ice maker
1*	218976903	A B C D E F	Tube-water inlet, inlet valve to filter
1*	218976907	A B C D E F	Tube-water inlet, valve to door
2	5304420650	A B C D E F	Spring,shut-off arm
3	3206299	A B C D E F	Label,ID plate
4	3206301	A B C D E F	Gear
5	3206303	A B C D E F	Plate-mounting
6	3206305	A B C D E F	Screw-ground wire,8-32 x 0.250
7 #	3206306	A B C D E F	Motor-ice maker
8	3206312	A B C D E F	Spacer-hold switch
9	3206313	A B C D E F	Cam
10	3206315	A B C D E F	Clamp
11 #	3206319	A B C D E F	Thermal Cutoff, ice maker, complete assy
12 #	240352601	A B C D E F	Wiring Harness, ice maker, internal, with plug
13 #	3206322	A B C D E F	Thermostat Assy,ice maker
14	5304420652	A B C D E F	Screw,4 x 0.750 ,switch mtg.
15 #	3206324	A B C D E F	Switch,(3)
16	5304420653	A B C D E F	Support,phenolic
17 #	5303320545	A B C D E F	Mold-ice maker,Radius Cube ,with heater
18	3206328	A B C D E F	Ejector-ice
19	3206330	A B C D E F	Bearing & Inlet
20	5304408581	A B C D E F	Screw, 8-32 x 0.375
21	3206332	A B C D E F	Ice Stripper
22	3206333	A B C D E F	Shut-off Arm
23	5304408582	A B C D E F	Screw, 8-32 x 1.000 ,mold-to-support, (3)
24	3206335	A B C D E F	Lever Arm
25	3206336	A B C D E F	Screw,8-18 x 0.562 ,lever arm/sprt
26	5304420654	A B C D E F	Screw-thermo/sprt,4-24 x 0.375 ,(4)
27	3206338	A B C D E F	Screw,4-40 x 1.000 ,hold switch mtg, (2)
28	3206339	A B C D E F	Screw-timing stop,4-40 x 0.375
29	3206323	A B C D E F	Screw,4-24 x 0.750 ,(6)
30	3206341	A B C D E F	Screw-timing adj,8-32 x 1.000
31	3206342	A B C D E F	Insulator
32	3206343	A B C D E F	Plate-valve switch
33	5304408583	A B C D E F	Spring-timing adj
34	5304420655	A B C D E F	Screw,plazscrew ,8-10 ,(3)
35	5304408585	A B C D E F	Screw
36	3206347	A B C D E F	Cover-ice maker
42	218515402	A B C D E F	Clip,(2) ,tube mtg.
42*	5303001199	A B C D E F	Clamp-wiring harness, strain relief, galv steel
45	5303001343	A B C D E F	Screw,hex washer head ,8-15A x 0.500
46	5303001193	A B C D E F	Clamp,.50 ID ,steel ,water tube
51	240387101	A B C D E F	Tube-water,ice mold fill ,extension
55 #	240321801	A B C D E F	Valve-water,triple solenoid
55*	218873001	A B C D E F	• Cap-water valve
55*#	240508101	A B C D E F	• Valve-water (Service), single solenoid
55*#	240508102	A B C D E F	• Valve-water (Service), dual solenoid, 115 V
55*	240363601	A B C D E F	Screw-shoulder
60	5303207328	A B C D E F	Screw, hex washer head, 8-15A x 1.000, (2)
61	218721500	A B C D E F	Bracket-leveling,ice maker
62	218737900	A B C D E F	Screw-IM brkt mtg, hex wshr hd, 8-32D x 0.375
64	5303001549	A B C D E F	Clamp,0.31 ID ,steel ,copper wtr line
*	218888001	A B C D E F	Adapter-water supply,nut & sleeve, compression ftg
*	240352403	A B C D E F	Ice Maker, Radius Cube, 115 V, no instl parts

WIRING SCHEMATIC



WIRING DIAGRAM



= Fast-moving Parts
* = Non-illustrated Parts