

FRIGIDAIRE

Factory Parts Catalog

Product No.	FGHB2844LE1	FGHB2844LF1	FGHB2844LM1	FGHB2844LP1
Series	Gallery	Gallery	Gallery	Gallery
Color	black (smooth)	stainless	silver mist	white (smooth)
Volts	115	115	115	115
Owner's Guide	242046800	242046800	242046800	242046800
Market	North America	North America	North America	North America
Energy Guide	242028567	242028567	242028567	242028567
Service Data Sheet	240389643	240389643	240389643	240389643

Frigidaire

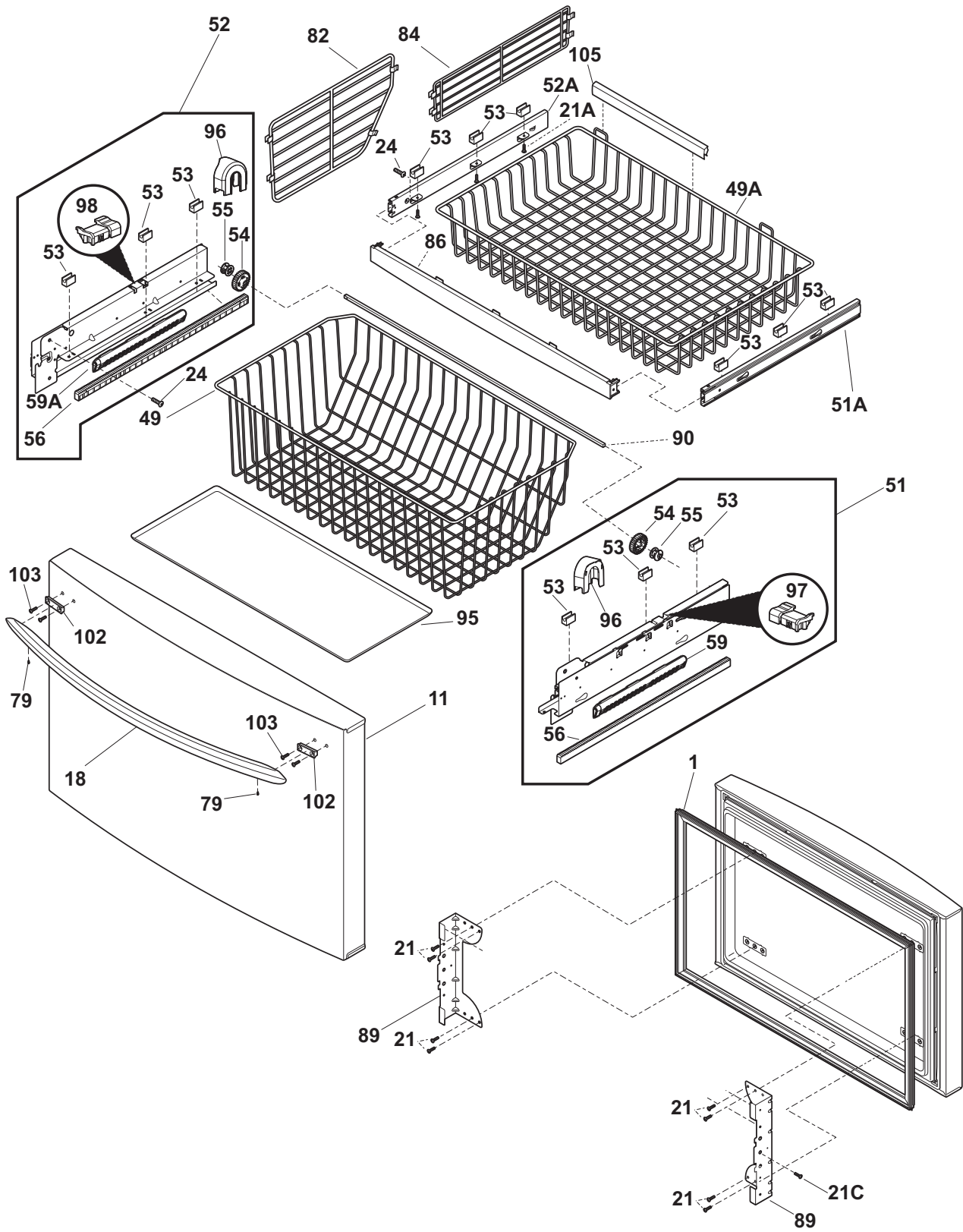
P.O. BOX 8020
CHARLOTTE, NC 28262

Publication No.
5995571311
10/07/30
(EN/SERVICE/KHB)
137

FRENCH DOOR BOTTOM FREEZER/REFRIGERATOR W/DISPENSER

Model No.
FGHB2844L

FREEZER DRAWER, BASKETS



FD58FDGAA1

FREEZER DRAWER, BASKETS

Model Index: A FGH2844L (FGHB2844LE1)
 B FGH2844L (FGHB2844LF1)
 C FGH2844L (FGHB2844LM1)
 D FGH2844L (FGHB2844LP1)

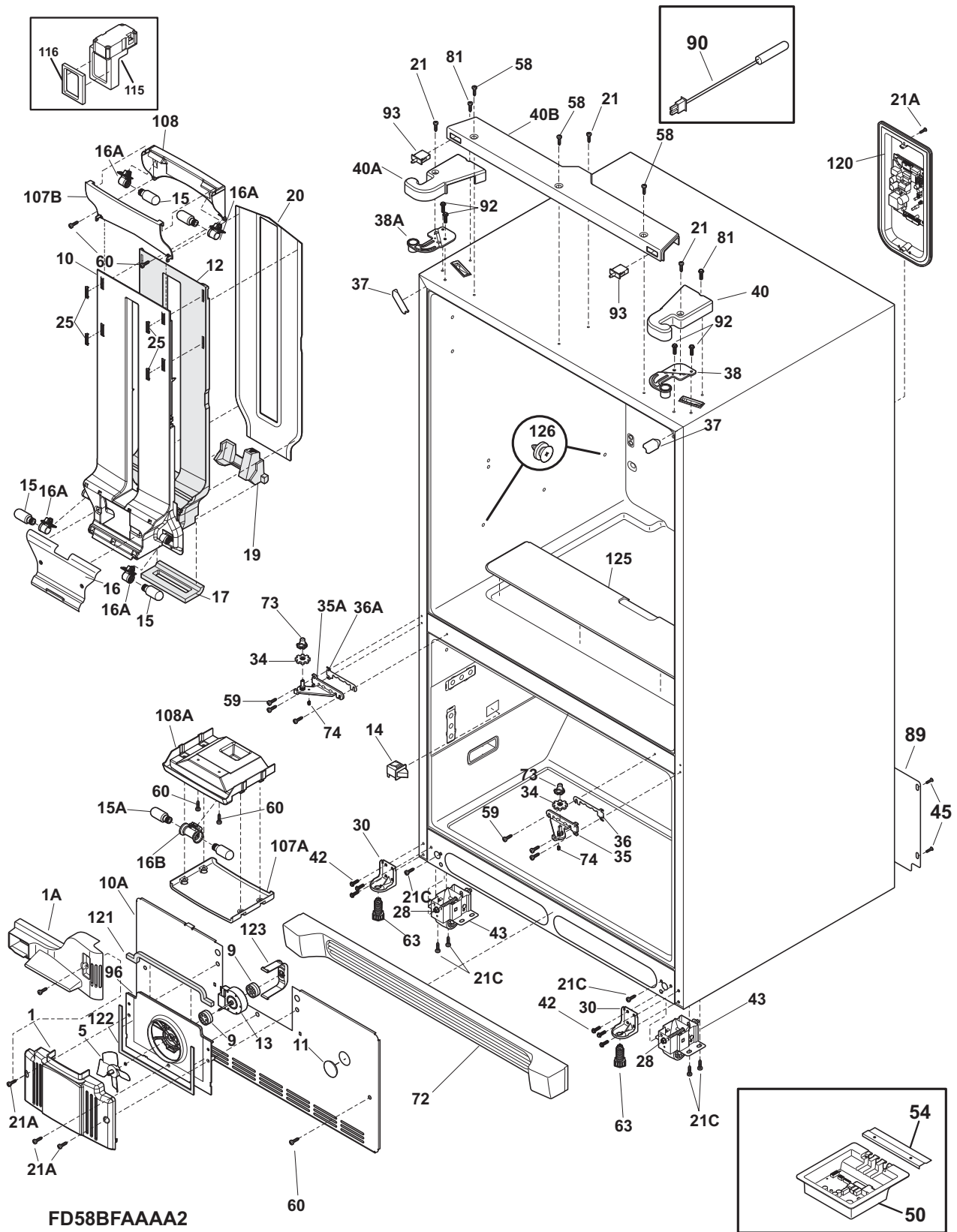
POS. NO	PART NO.		DESCRIPTION
1 #	241778304	A - C -	Gasket-frzr drawer, black, magnetic
1 #	241778308	- B - -	Gasket-frzr drawer, gray, magnetic
1 #	241778302	- - - D	Gasket-frzr drawer, white, magnetic
11	241987909	A - - -	Door-frzr, black, complete assy
11	241987906	- B - -	Door-frzr, stainless, complete assy
11	241987911	- - C -	Drawer, stainless, freezer
11	241987910	- - - D	Door-frzr, white, complete assy
18	242029403	A - C -	Handle-door, black
18	242029401	- B - -	Handle-frzr basket
18	242029402	- - - D	Handle-door, white
18*	241601001	A B C D	Wrench, allen
18*	241701901	A B C D	Screw Driver
21	240383407	A B C D	Screw, truss hd quad, #10-16 x .500, white
21A	241953902	A B C D	Screw, #8 - 18 X .380, 3
21C	241899701	A B C D	Screw-#10-32 x 3/8 TRUSS HEAD, truss head, #10-32 x 3/8, zinc
24	240383406	A B C D	Screw, truss hd quad, #10-16 x .500, zinc
49	242026801	A B C D	Basket-frzr, lower
49A	241780805	A B C D	Basket-frzr, upper
51	241883601	A B C D	Slide Assembly, basket lower, RH, freezer drawer
51*	242039701	A B C D	Screw
51A	241894201	A B C D	Slide Assembly, basket, RH, freezer drawer
52	241883701	A B C D	Slide Assembly, basket lower, LH, freezer drawer
52A	241894203	A B C D	Slide Assembly, basket, LH, freezer drawer
53	241824201	A B C D	Retainer-basket
54	241770201	A B C D	Pinion
55	241770301	A B C D	Pinion-idler
56	241762801	A B C D	Rack, drawer travel
59	241979702	A B C D	Closure, drawer
59A	241979701	A B C D	Closure, drawer
79	218755407	A B C D	Screw-set, 10-32 x 0.500
82	242026901	A B C D	Divider, basket
82*	241999901	A B C D	Guide, divider, plastic (ABS), lower
82*	241999902	A B C D	Guide, divider, plastic (ABS), lower, LH
84	241780901	A B C D	Divider, basket, upper
86	241953202	A B C D	Bar, stabalizer, freezer drawer
89	241972301	A B C D	Bracket-freezer drawer
89*	241979601	A B C D	Bumper, rubber
90	241770702	A B C D	Bar, timing
90*	242011101	A B C D	Pin-lock
95	241770808	A B C D	Tray, spill guard
96	241973501	A B C D	Cover, pinion, white
97	241926401	A B C D	Actuator, RH, white, light
98	241926402	A B C D	Actuator, LH, white, light
102	242029301	A B C D	Block-handle mtg
103	242077301	A B C D	Screw, #10 AB flat hd
105	242116801	A B C D	Trim-basket
*	5304471621	A B C D	Screw, 8-15A x 1.000, Lock Tite

FRESH FOOD DOOR

Model Index: A FGHB2844L (FGHB2844LE1)
 B FGHB2844L (FGHB2844LF1)
 C FGHB2844L (FGHB2844LM1)
 D FGHB2844L (FGHB2844LP1)

POS. NO	PART NO.		DESCRIPTION
2 #	241778303	A - C -	Gasket-refr door, black, magnetic
2 #	241778307	- B - -	Gasket-refr door, gray, magnetic
2	241778301	- - - D	Gasket-door, white
7	242011401	A B C D	Door-dairy, removable
11	241988043	A - - -	Door-refr, smooth, black, complete assy
11	241988012	- B - -	Door-refr, stainless, LH
11	241988032	- - C -	Door-refr, stainless, LH
11	241988041	- - - D	Door-refr, smooth, white, complete assy
12	242015201	A B C D	Label-nameplate
13	241868401	A B C D	Door Stop, refrig RH, plated
13A	241868402	A B C D	Door Stop, refr LH, plated
15	241988042	A - - -	Door-refr, black, RH
15	241988011	- B - -	Door-refr, stainless, RH
15	241988031	- - C -	Door-refr, stainless, RH
15	241988040	- - - D	Door-refr, white, RH
18	241930103	A - C -	Handle-door, black
18	241930101	- B - -	Handle-door, stainless
18	241930102	- - - D	Handle-door, white, (2)
18*	241601001	A B C D	Wrench, allen
18*	241701901	A B C D	Screw Driver
21	242017501	A B C D	Screw, 10-32 x 0.750
21A	241953901	A B C D	Screw, #8-18
22	242075601	A B C D	Cam, upper hinge, RH
22A	242075602	A B C D	Cam, upper hinge, LH
22C	241760401	A B C D	Bearing, hinge, top
27	241752701	A B C D	Retainer, tall bottle
49	242011501	A B C D	Bin-door, gallon
49A	242071301	A B C D	Bin-door, 2-liter
49B	242011701	A B C D	Bin-door, dispenser
70	241804604	A B C D	Compartment-dairy, removable
79	218755408	A B C D	Screw-set, 10-32 x 0.650
80	218755504	A B C D	Screw-shoulder, #10 AB, handle mounting
82	241779401	A B C D	Hinge-mullion, upper/lower, flipper
83	241812201	A B C D	Magnet, door
84	241779702	A B C D	Guide-mullion flipper
85	241778801	A - C D	Flipper mullion assembly
85	241778803	- B - -	Flipper mullion assembly
85*	241788401	A B C D	Harness-wiring, flipper mullion
86	241779801	A B C D	Hinge-mullion, center, flipper
209	242021002	A - C -	Housing-magnet, black
209	242021001	- B - D	Housing-magnet, white
210	241779103	A B C D	Magnet, door
211	241979601	A B C D	Bumper, rubber
*	242015001	A B C D	Screw, #10 8-19 x 1/2
*	242068601	A B C D	Bumper, RH door
*	242103001	A B C D	Connector-water, straight
* #	242040802	A B C D	Harness-wiring, door
* #	242064001	A B C D	Screw
*	5303918371	A B C D	Dispenser heater kit, 115

CABINET

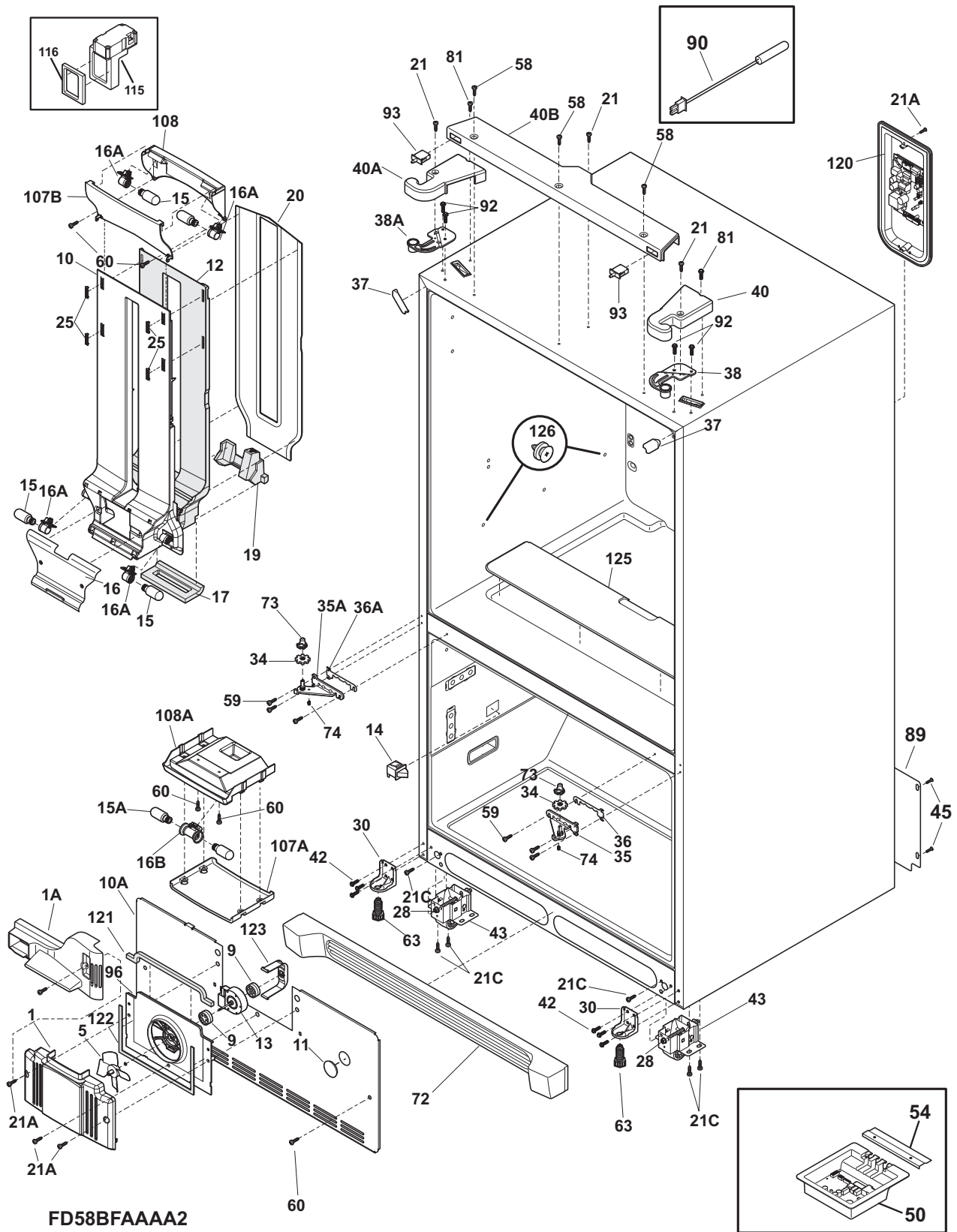


CABINET

Model Index: A FGH2844L (FGHB2844LE1)
 B FGH2844L (FGHB2844LF1)
 C FGH2844L (FGHB2844LM1)
 D FGH2844L (FGHB2844LP1)

POS. NO	PART NO.		DESCRIPTION
1	241859701	A B C D	Cover-fan
1A	242052101	A B C D	Duct-air
5 #	5308000010	A B C D	Fan Blade, red, evaporator fan
9	241518301	A B C D	Bushing, motor mounting
10	242072001	A B C D	Cover-air duct
10*#	242061602	A B C D	Harness-wiring, air duct
10A	241860402	A B C D	Cover-evap coil, lower
10A*	241860104	A B C D	Gasket-coil cover
10A*	241860105	A B C D	Gasket-coil cover
11	5303208309	A B C D	Plug-hole, factory test
12	242072401	A B C D	Insulation-air duct
13	241509402	A B C D	Motor, evaporator fan
13*	215474201	A B C D	Washer, "slinger", nylon, evap fan shaft
14	242060201	A B C D	Switch-light/lamp, frzr door
15A	241552801	A B C D	Light Bulb
16	242072101	A B C D	Cover-damper
16*	241953904	A B C D	Screw, #8-18
16*	242072501	A B C D	Cover-EPS, damper
16A	240590401	A B C D	Socket-light, top & mid
16A*	241969202	A B C D	Harness-wiring, top light
16B	241622802	A B C D	Socket-light, frz light
16B*	241510802	A B C D	Harness-wiring, frz light
17	242071901	A B C D	Gasket-air duct/liner
19	242072601	A B C D	Support-EPS damper
20	242072201	A B C D	Cover-air duct, rear
21	241732101	A B C D	Screw, 10-32 x 1/2
21A	241953901	A B C D	Screw, #8-18
21C	218252201	A B C D	Screw, #8 truss hd, 10-32CA x 0.500
25	241949502	A B C D	Clip, air vent
28	240335502	A B C D	Bolt-roller adj, hex washer head, 1/4-20 x 4.020, (2), special
30	241778701	A B C D	Bracket-anti tip
34	241868301	A B C D	Washer, hinge, nylon, (2)
35	241763005	A B C D	Hinge-lower, RH
35A	241763006	A B C D	Hinge-lower, LH
36	241868201	A B C D	Spacer, door, lower RH
36A	241868202	A B C D	Spacer, door, lower LH
37	240337610	A - C -	Trim-cabinet corner, black, (2)
37	240337615	- B - -	Trim-cabinet corner, gray, (2)
37	240337608	- - - D	Trim-cabinet corner, white, (2)
38	241761301	A B C D	Bracket-upper hinge, RH
38A	241761302	A B C D	Bracket-upper hinge, LH
40	241778003	A - C -	Cover-upper hinge, black, RH
40	241778007	- B - -	Cover-upper hinge, graye, RH
40	241778005	- - - D	Cover-upper hinge, white, RH
40A	241778004	A - C -	Cover-upper hinge, black, LH
40A	241778008	- B - -	Cover-upper hinge, gray, LH
40A	241778006	- - - D	Cover-upper hinge, white, LH

CABINET



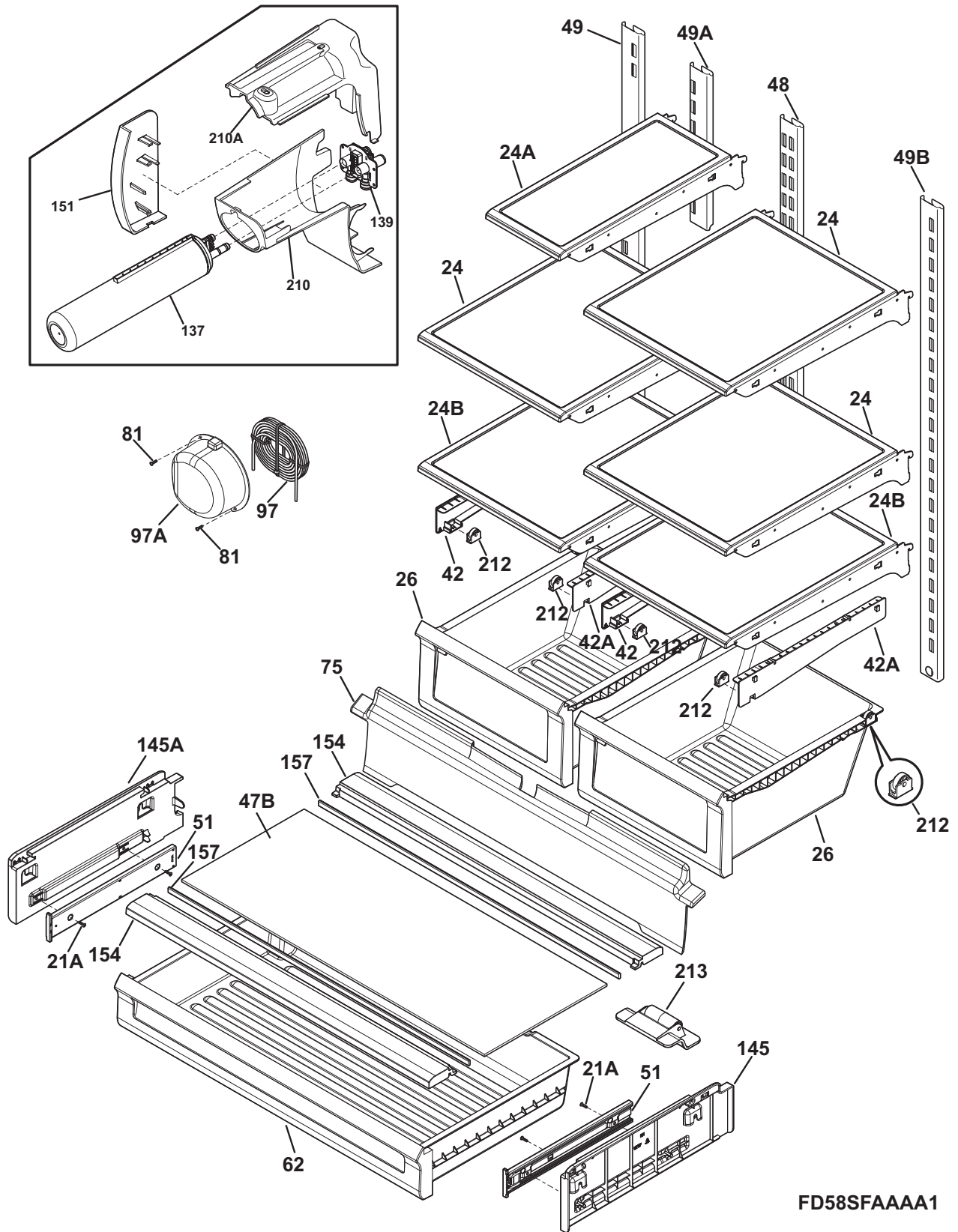
FD58BFAAAA2

CABINET

Model Index: A FGH2844L (FGHB2844LE1)
 B FGH2844L (FGHB2844LF1)
 C FGH2844L (FGHB2844LM1)
 D FGH2844L (FGHB2844LP1)

POS. NO	PART NO.		DESCRIPTION
40B	241862402	A - C -	Cover-upper hinge, black, center
40B	241862404	- B - -	Cover-upper hinge, gray, center
40B	241862403	- - - D	Cover-upper hinge, white, center
42	240578902	A B C D	Screw, hex head, 1/4-20 x 5/8
43	240335006	A B C D	Roller Assy, front, (2)
45	241500303	A B C D	Screw, hex washer head, 8-18AB x 0.500
50	241996323	A B C D	Board-main power
54	241532401	A B C D	Channel
58	241853202	A B C D	Screw
59	240442706	A B C D	Screw-#10-32 X 3/4, zinc
60	218362501	A B C D	Screw, hex washer head, 8-18AB x 1.250, spacer, (2)
63	216396900	A B C D	Screw, leveling foot, plastic, adjustable
72	242054802	A - C -	Grille/Kickplate, black
72	242054801	- B - -	Grille/Kickplate
72	242054803	- - - D	Grille/Kickplate, white
73	242075701	A B C D	Cam-lower hinge
74	242026701	A B C D	Screw, #6-32 x 9/16
81	242025601	A B C D	Screw, hex head, #10-32 x 3/8
89	241733905	A B C D	Cover-access, w/label
90	240597203	A B C D	Sensor
92	241710601	A B C D	Screw, hex washer hd, 1/4 x 7/8, hinge mtg
93	241835502	A - C -	Switch-light
93	241835504	- B - -	Switch-light, grey
93	241835501	- - - D	Switch-light, white
96	241860601	A B C D	Shroud-evap fan mtg
107A	241971601	A B C D	Shield-light, frzr
107B	241971202	A B C D	Shield-light, upper
108	241971401	A B C D	Cover-wiring, top air duct
108A	241971801	A B C D	Cover-wiring, freezer light
115	241518501	A B C D	Damper, motorized
116	241518601	A B C D	Seal-damper, foam
120#	241956703	A B C D	Board Assembly, control, ice maker
121	241860103	A B C D	Gasket-evap, upper
122	241860102	A B C D	Gasket-evap, bottom
123	241517701	A B C D	Clip, evap fan motor
125	242071201	A B C D	Cover, sump
126	242081301	A B C D	Screw-shoulder
*	240479601	A B C D	Plug, button, cab liner holes
*	241969001	A B C D	Cap, screw
*	242015904	A B C D	Harness-wiring
*	242025201	A B C D	Pipe, foam
* #	5303918416	A B C D	Thermistor kit, T-3 suction lin, icemaker

SHELVES



FD58SFAAAA1

SHELVES

Model Index: A FGH2844L (FGHB2844LE1)
 B FGH2844L (FGHB2844LF1)
 C FGH2844L (FGHB2844LM1)
 D FGH2844L (FGHB2844LP1)

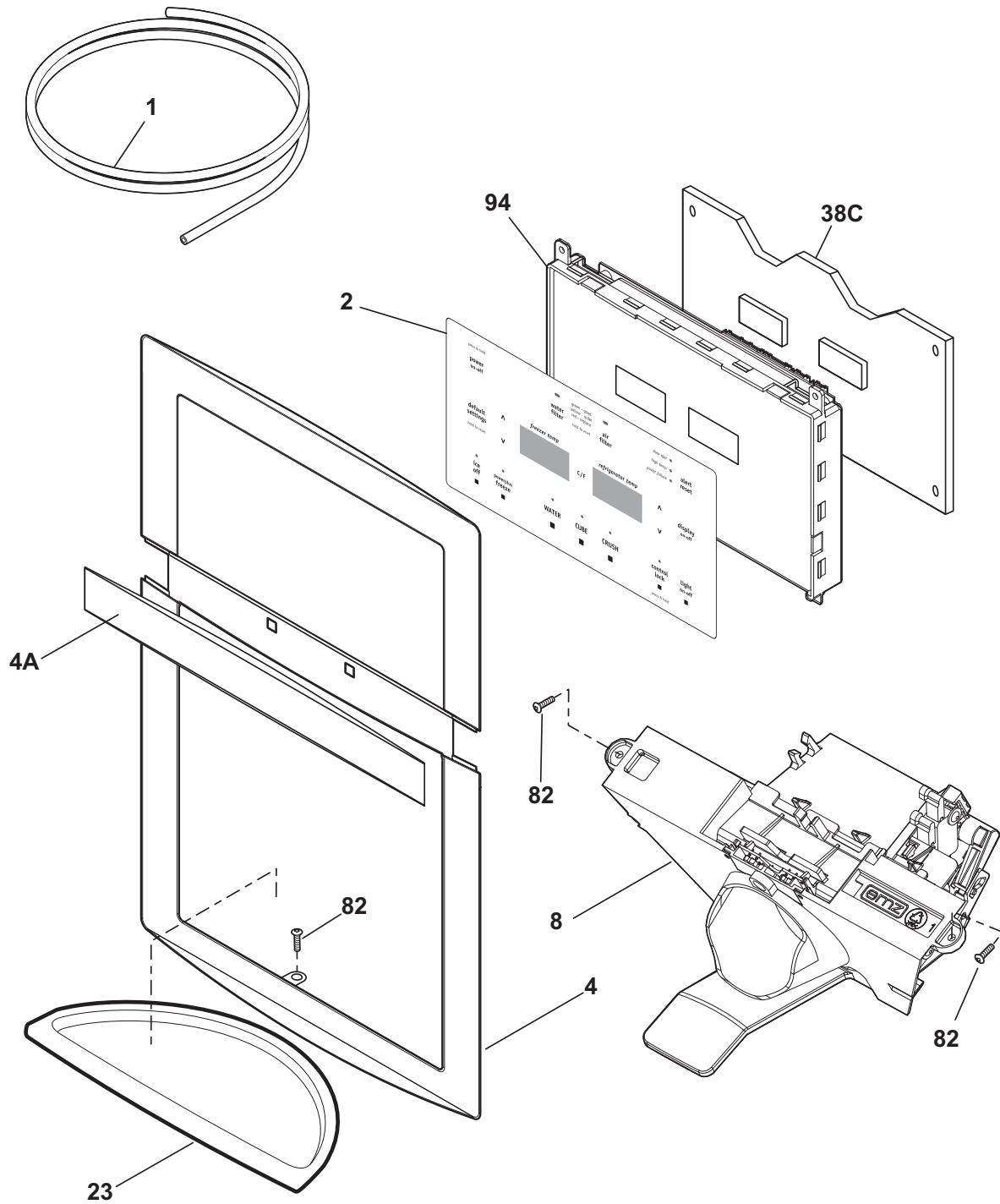
POS. NO	PART NO.		DESCRIPTION
21A	241953902	A B C D	Screw, #8 - 18 X .380, 3
24	242068701	A B C D	Shelf-"Spill-Safe", cantilever, sliding
24A	242068702	A B C D	Shelf-"Spill-Safe", cantilever, 1/4 width, sliding
24B	242068703	A B C D	Shelf-"Spill-Safe", fixed
26	241801801	A B C D	Pan-crisper, (2)
42	242067901	A B C D	Support, crspr pan rolle
42*	241953901	A B C D	Screw, #8-18
42A	242067801	A B C D	Support, crspr pan rolle
47B	242082301	A B C D	Glass, deli cover
48	242070601	A B C D	Channel-shelf mtg, center
49	242070401	A B C D	Channel-shelf mtg, side, LH
49A	242077501	A B C D	Channel-shelf mtg, center, icemaker shelf
49B	242070501	A B C D	Channel-shelf mtg, side, RH
51	242065301	A B C D	Slide-deli
62	242096801	A B C D	Pan-deli
75	242072702	A B C D	Shield-light, refr
81	5304455650	A B C D	Screw, hex washer head, 8-15A x 0.625, Low Profile
97	242082001	A B C D	Water Tank
97A	242117301	A B C D	Cover-water tank
137	241791601	A B C D	Filter-water, carbon
139	242009601	A B C D	Base-water filter
145	242082201	A B C D	Support, rail
145A	242082202	A B C D	Support, rail
151	242069701	A B C D	Cover-water filter
154	242082401	A B C D	Support
154*	242015001	A B C D	Screw, #10 8-19 x 1/2
157	241872201	A B C D	Beam-crisper cover
210	241983805	A B C D	Housing-water filtr
210A	241998302	A B C D	Mount-water filter
212	5304479194	A B C D	Roller Assembly, crisper pan
213	242010901	A B C D	Roller Assy, deli pan
*	242028567	A B C D	Energy Guide

COOLING SYSTEM

Model Index: A FGHB2844L (FGHB2844LE1)
 B FGHB2844L (FGHB2844LF1)
 C FGHB2844L (FGHB2844LM1)
 D FGHB2844L (FGHB2844LP1)

POS. NO	PART NO.		DESCRIPTION
1 #	241862901	A B C D	Condenser
1A	241987301	A B C D	Deflector-air, condenser
3	241838401	A B C D	Block-evap coil, styrofoam insul, RH
3A	241838402	A B C D	Block-evap coil, styrofoam insul, LH
4	241863101	A B C D	Drier-filter, w/process tube
6 #	241516901	A B C D	Cord-service
6* #	242102101	A B C D	Harness-wiring, machine compt
12	242036701	A B C D	Tube-jumper, evaporator
14 #	5303918410	A B C D	Defrost Heater Kit, 28'
15 #	5303918406	A B C D	Evaporator Kit
16	5308000110	A B C D	Strap-evap/heater, aluminum, (2)
17	241791201	A B C D	Trough-drain
18	241860101	A B C D	Gasket, closed cell
21 #	242046001	A B C D	Thermostat-defrost
21A	218362501	A B C D	Screw, hex washer head, 8-18AB x 1.250, spacer, (2)
22	241602112	A B C D	Base-compressor, w/rollers
22*	218252201	A B C D	Screw, #8 truss hd, 10-32CA x 0.500
25	240491503	A B C D	Screw-compressor mtg, 1/4-28 x 1.16, (4)
26	241920603	A B C D	Pan-defrost
29 #	5303918437	A B C D	Compressor Kit
30 #	241577505	A B C D	Invertor
34	241929901	A B C D	Grommet-cond mtg, (4)
34A	241929902	A B C D	Grommet-cond mtg, (4)
41	240555002	A B C D	Screw-#8-32 X 3/8
44	215174700	A B C D	Clamp-service cord, strain relief, galv steel
45	5304455650	A B C D	Screw, hex washer head, 8-15A x 0.625, Low Profile
50	241996323	A B C D	Board-main power
50*#	242102001	A B C D	Harness-wiring
54	241532401	A B C D	Channel
58	240433203	A B C D	Screw, hex washer head, 8-18 x 3/8
59	240315502	A B C D	Shroud-cond fan
59*	240346701	A B C D	Tape-foam seal, shroud
59A	240346501	A B C D	Bracket-support, cond mtr, (3)
59B	240346601	A B C D	Grommet-bracket, (3)
60	241584301	A B C D	Motor-condenser fan
61	241639501	A B C D	Blade-condenser fan
81	240359403	A B C D	Screw-fan shroud, (2)
82	5304418225	A B C D	Roller, compressor base, rear, (2)
83	5304455655	A B C D	Rivet, flat head, 1/4 OD x 1-3/4, roller pin
84	241830902	A B C D	Tube-drain, lower
84*	242036801	A B C D	Clip-tube, drain
86	240409302	A B C D	Spacer-cond tube, black
87	241846302	A B C D	Tube-suction, jumper
89	215346900	A B C D	Tube-process
90	240597203	A B C D	Sensor
90*	241842301	A B C D	Cap-thermistor
*	3205266	A B C D	Edge Protector, wiring harness
*	218515403	A B C D	Clip-grille
*	241510904	A B C D	Harness-dispenser, grounding
*	241947701	A B C D	Spacer, heat exchanger
*	5303918416	A B C D	Thermistor kit, T-3 suction lin, icemaker
*	5303918445	A B C D	Heat Exchanger, suction line
* #	5303918446	A B C D	Heat Exchanger, icemaker
*	5303918428	A B C D	Hot Tube Repair Kit, service

CONTROLS & ICE DISPENSER



FD58XFAAA0

CONTROLS & ICE DISPENSER

Model Index: A FGH2844L (FGHB2844LE1)
 B FGH2844L (FGHB2844LF1)
 C FGH2844L (FGHB2844LM1)
 D FGH2844L (FGHB2844LP1)

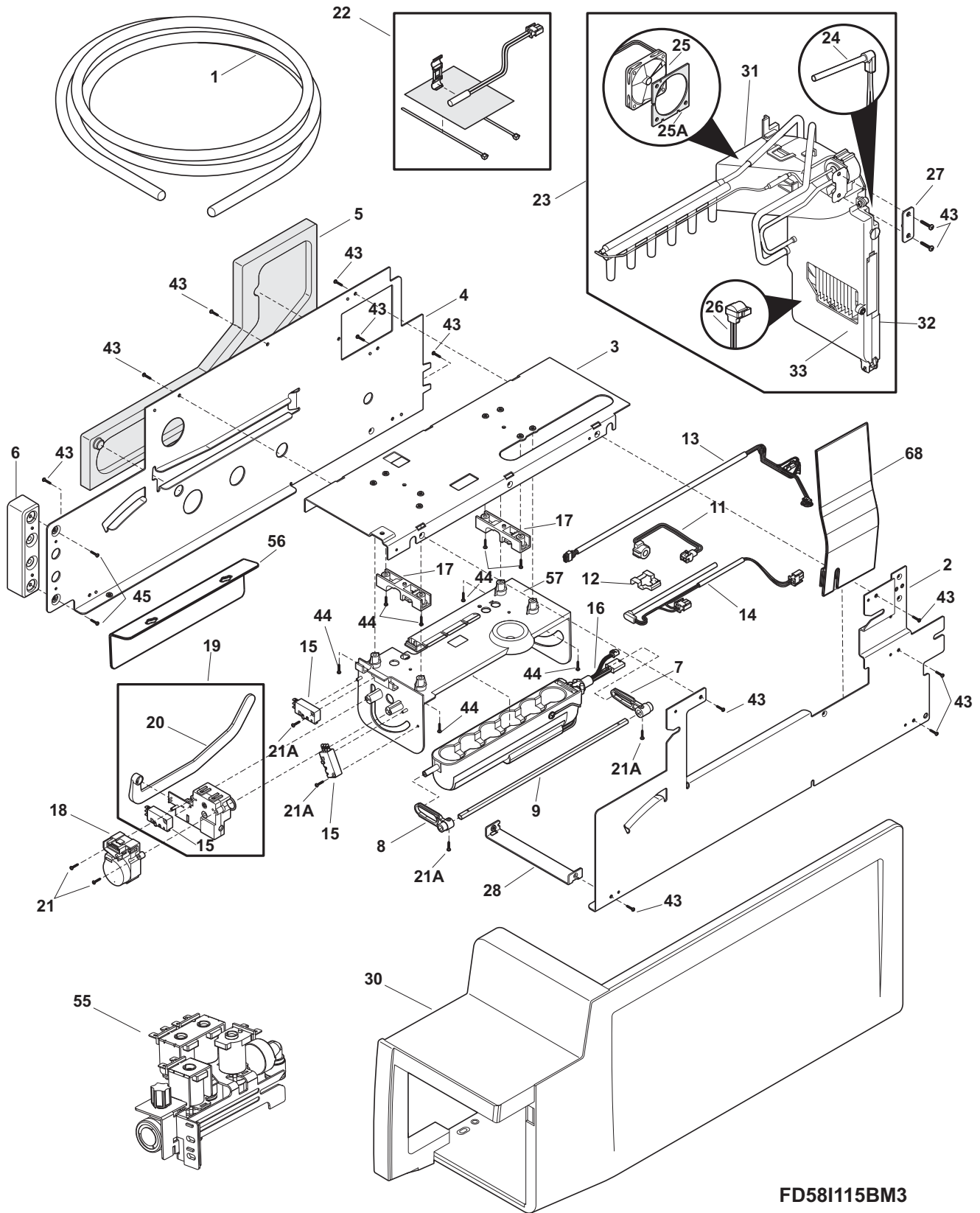
POS. NO	PART NO.		DESCRIPTION
1	218976424	A B C D	Tube-water inlet, 64.00", yellow
1*	241920101	A B C D	Tube-water inlet, green, valve to I.M.
2 #	242035601	A B C -	Switch-membrane
2 #	242035602	- - - D	Switch-membrane
4	242034202	A - C -	Cover-module, black
4	242034203	- B - -	Cover-module, gray
4	242034201	- - - D	Cover-module, white
4A	242033902	A - C -	Trim, Facade
4A	242033903	- B - -	Trim, dispenser, gray
4A	242033901	- - - D	Trim, Facade, white
8	242074201	A - C -	Module-dispenser, black
8	242074204	- B - -	Module-dispenser
8	242074202	- - - D	Module-dispenser, white
23	242034002	A - C -	Drip Tray, black
23	242034004	- B - -	Drip Tray, gray
23	242034001	- - - D	Drip Tray, white
38C#	241973706	A B C D	Board-control
82	241953902	A B C D	Screw, #8 - 18 X .380, 3
94	242034101	A B C D	Housing-control
*	241510904	A B C D	Harness-dispenser, grounding
*	5303918371	A B C D	Dispenser heater kit, 115
*	242105401	A B C D	Chute-ice

ICE CONTAINER

Model Index: A FGHB2844L (FGHB2844LE1)
 B FGHB2844L (FGHB2844LF1)
 C FGHB2844L (FGHB2844LM1)
 D FGHB2844L (FGHB2844LP1)

POS. NO	PART NO.	A	B	C	D	DESCRIPTION
2	241829401	A	B	C	D	Auger-ice
3	241830201	A	B	C	D	Cam-drive
4	241816801	A	B	C	D	Container-ice, bucket only
6	241829801	A	B	C	D	Drum-ice disp
7	241829702	A	B	C	D	Front-ice container
7A	241844201	A	B	C	D	Insulation
10	241829001	A	B	C	D	Bar-drive
13	241829901	A	B	C	D	Gate
17	241830601	A	B	C	D	Drive Blade
18 #	241816601	A	B	C	D	Motor-auger
18*#	241843301	A	B	C	D	Harness-wiring, high voltage, auger motor
20	241828901	A	B	C	D	Cover-motor
20A	241843101	A	B	C	D	Cover-motor, front
23	241829501	A	B	C	D	Plate-front
26	215503205	A	B	C	D	Screw, cr pan hd, 10-16 x 0.500
33	241684801	A	B	C	D	Spacer
34	241689801	A	B	C	D	Spacer
35A	241830401	A	B	C	D	Fixed Blade, round
37A	241830301	A	B	C	D	Blade, crusher #1
37B	241830302	A	B	C	D	Blade, crusher #2
37C	241830303	A	B	C	D	Blade, crusher #3
41	241830001	A	B	C	D	Housing-crusher
44	218359202	A	B	C	D	Screw, pan head, 8-32 x 0.250
44*	242030601	A	B	C	D	Washer, star/lock
45 #	241675701	A	B	C	D	Solenoid Assy, 115V
45A	241675901	A	B	C	D	Spring-solenoid
45B	241676001	A	B	C	D	E-Ring-solenoid
45C	241676101	A	B	C	D	Actuator-solenoid
45D#	241675801	A	B	C	D	Solenoid, 115V
46	241817901	A	B	C	D	Control Rod
47	241839001	A	B	C	D	Spring-control rod
48	241830101	A	B	C	D	Bracket-control
50	241675601	A	B	C	D	Guide-solenoid
52	241830701	A	B	C	D	Spacer-fixed blades
53	241869601	A	B	C	D	Pin-spiral, fixed blades
54	241829601	A	B	C	D	Nut-auger
55	241690301	A	B	C	D	Washer
56	241690201	A	B	C	D	E-ring
*	241690601	A	B	C	D	Screw, #10-16 Hilo
*	242007101	A	B	C	D	Latch

ICE MAKER



FD581115BM3

ICE MAKER

Model Index: A FGH2844L (FGHB2844LE1)
 B FGH2844L (FGHB2844LF1)
 C FGH2844L (FGHB2844LM1)
 D FGH2844L (FGHB2844LP1)

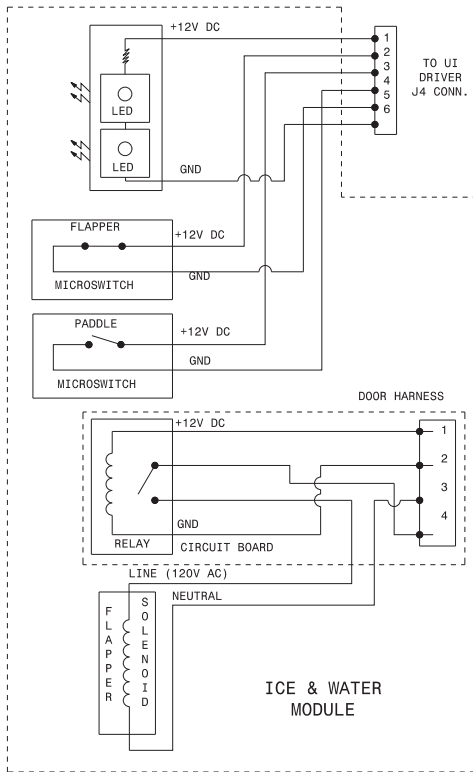
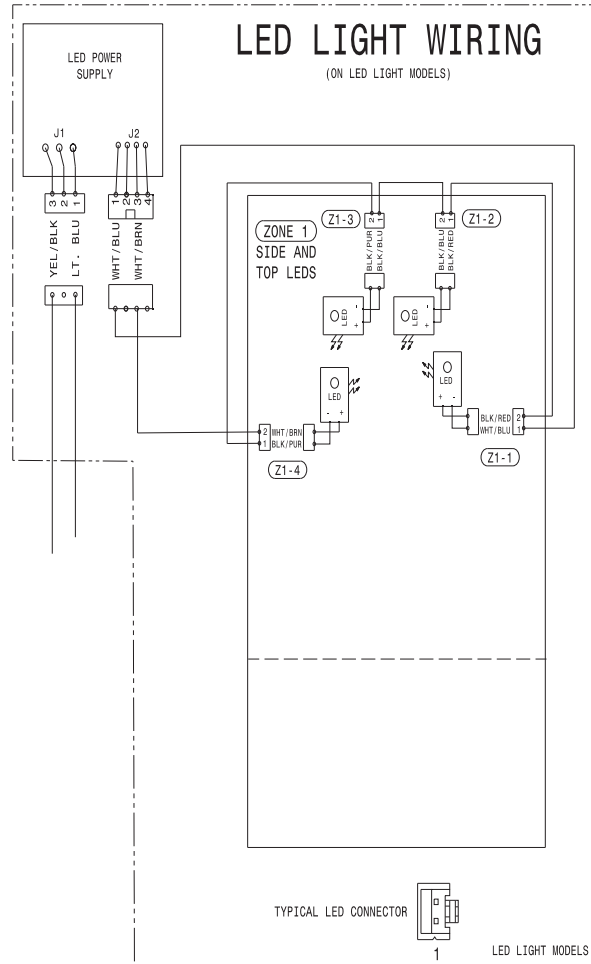
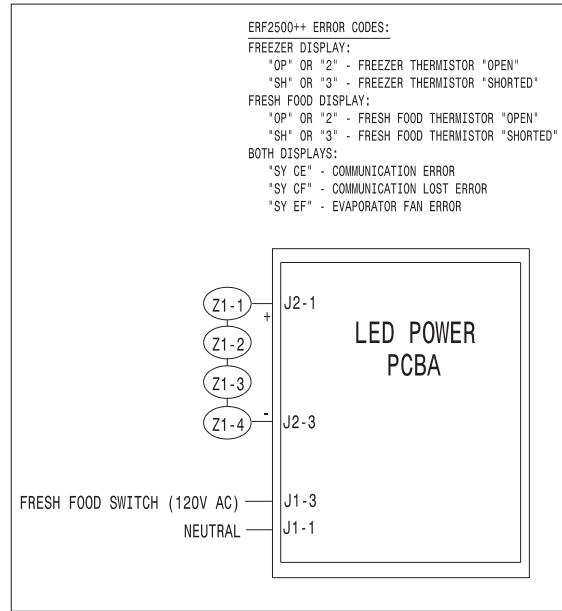
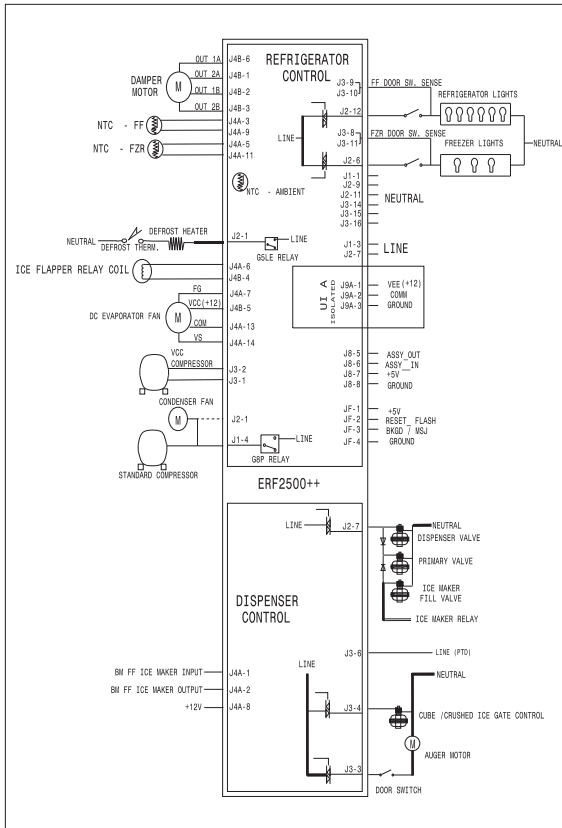
POS. NO	PART NO.		DESCRIPTION
1	218976424	A B C D	Tube-water inlet, 64.00", yellow
1	218976812	A B C D	Tube-water inlet, valve to I.M.
1*	218976432	A B C D	Tube-water, brown/tan
1*	241518001	A B C D	Nut, 1/2-20, nylon, water hose, (2)
1*	241920101	A B C D	Tube-water inlet, green, valve to I.M.
1*	242082103	A B C D	Tube-water
1*	242082104	A B C D	Tube-water
2	241937301	A B C D	Frame-icemaker, RH
3	241828501	A B C D	Frame-icemaker, top
4	241937501	A B C D	Frame-icemaker, LH
5	241870701	A B C D	Duct-air
6	241954001	A B C D	Spacer, icemaker
7	241939001	A B C D	Bracket, ice tray
8	241827701	A B C D	Bracket, ice tray
9	241841701	A B C D	Shaft, motor, icemaker
11 #	241983101	A B C D	Bimetal-heater, harvest
12	241997601	A B C D	Clamp, strain relief
13 #	241921501	A B C D	Harness-wiring, ice maker
14	241983201	A B C D	Heater, harvest, 115 V
15 #	241870101	A B C D	Switch
16	241827901	A B C D	Tray-ice
17	241828101	A B C D	Bracket-evap coil
18 #	241817701	A B C D	Motor-ice maker
18*	241820701	A B C D	Harness-wiring, icmkr
19	241939901	A B C D	Shut-off Arm Assembly
20	241839501	A B C D	Shut-off Arm
21	242024101	A B C D	Screw
21A	242024401	A B C D	Screw
22 #	5303918416	A B C D	Thermistor kit, T-3 suction lin, icemaker
23	5303918444	A B C D	Evaporator Kit, ice maker
24 #	241962501	A B C D	Heater-defrost, icemaker
25 #	241870801	A B C D	Fan
25*	241870304	A B C D	Screw
25A	241962301	A B C D	Gasket-evap fan, icemaker
26	241962601	A B C D	Thermistor
27	241963401	A B C D	Gasket, ice maker
28	241828701	A B C D	Brace, icemaker, front
30	242105601	A B C D	Cover, icmkr & bucket
31	241925102	A B C D	Shroud-evap fan mtg, ice maker
32	241925201	A B C D	Cover, rear, i/mk evaporator
33	241924701	A B C D	Cover, front, i/mk evaporator
43	218359202	A B C D	Screw, pan head, 8-32 x 0.250
44	241870406	A B C D	Screw
45	241641501	A B C D	Screw
55 #	242102201	A B C D	Valve-water, 4 position, 115 V
55*	218709101	A B C D	Screw, hex head, 10-32 x 0.500
55*	240363602	A B C D	Screw-shoulder

ICE MAKER

Model Index: A FGH2844L (FGHB2844LE1)
 B FGH2844L (FGHB2844LF1)
 C FGH2844L (FGHB2844LM1)
 D FGH2844L (FGHB2844LP1)

POS. NO	PART NO.		DESCRIPTION
56	241865501	A B C D	Rail, ice maker, RH, vertical
57	241816901	A B C D	Bracket, evap assembly
68	241969701	A B C D	Deflector-water
*	242015401	A B C D	Screw, 8-18B x 0.500
*	242103001	A B C D	Connector-water, straight
*	5304453921	A B C D	Clamp-cable
* #	5303918446	A B C D	Heat Exchanger, icemaker
*	5303918467	A B C D	Heater Kit, EEV
*	242087401	A B C D	• Heater

WIRING DIAGRAM



WIRING DIAGRAM

